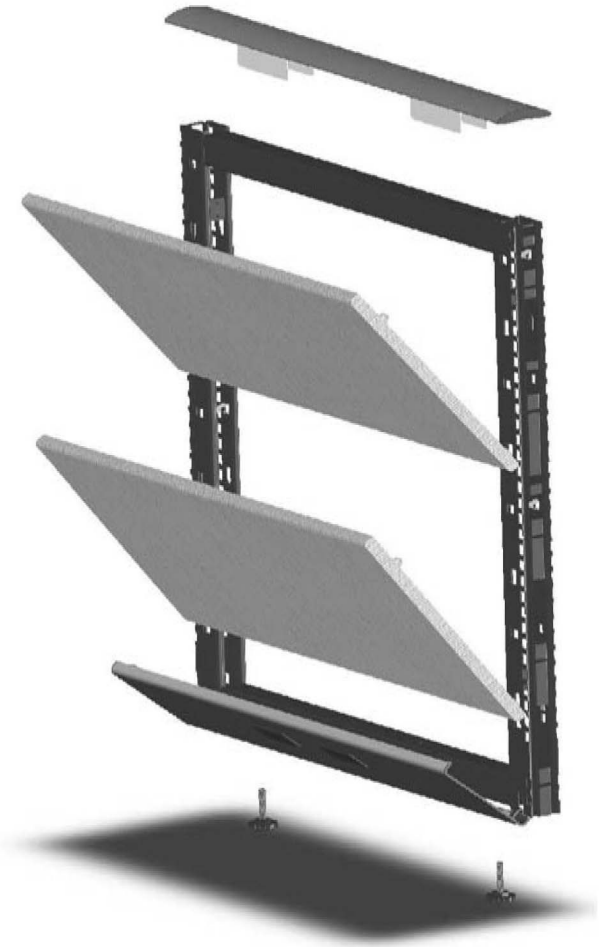


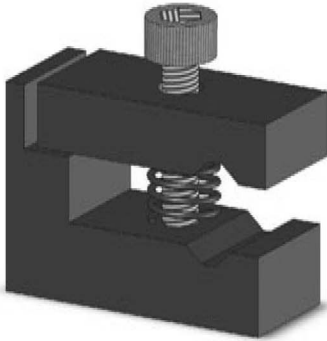
Trendform Systems Furniture Overview

Key Points:

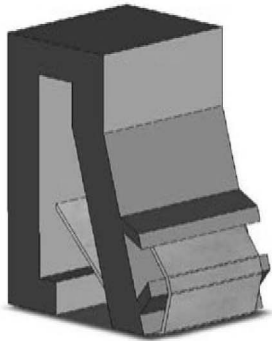
- Trendform is a “Grade A” systems furniture solution.
- Trendform is cost effective due to its simplified design.
- Modern designer look, without the price or major lines.



Trendform Systems Installation Procedures

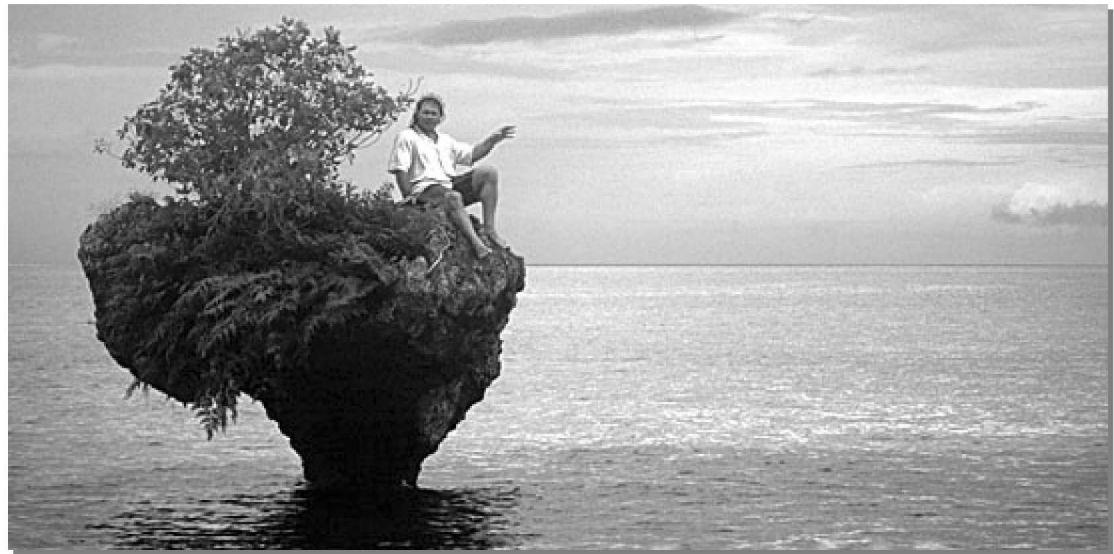


C-Clip



A-Clip

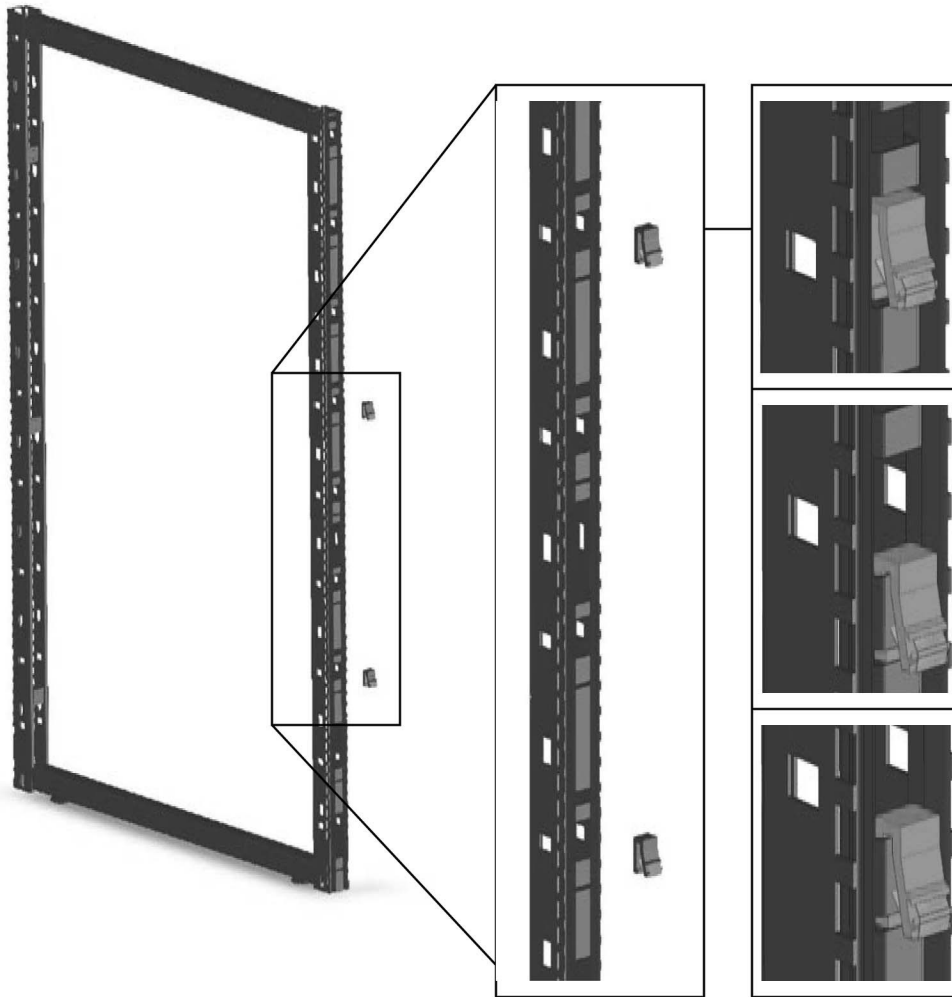
Never be stranded before you start.



All panels and connectors attach simply using two types of hardware. These pieces come standard with every panel ordered. So your never left without what you need.

Trendform Systems Installation Procedures

Installing any connection is a snap.



1. Insert the a clip connector.

2. Slide it down while depressing the spring steel clip.

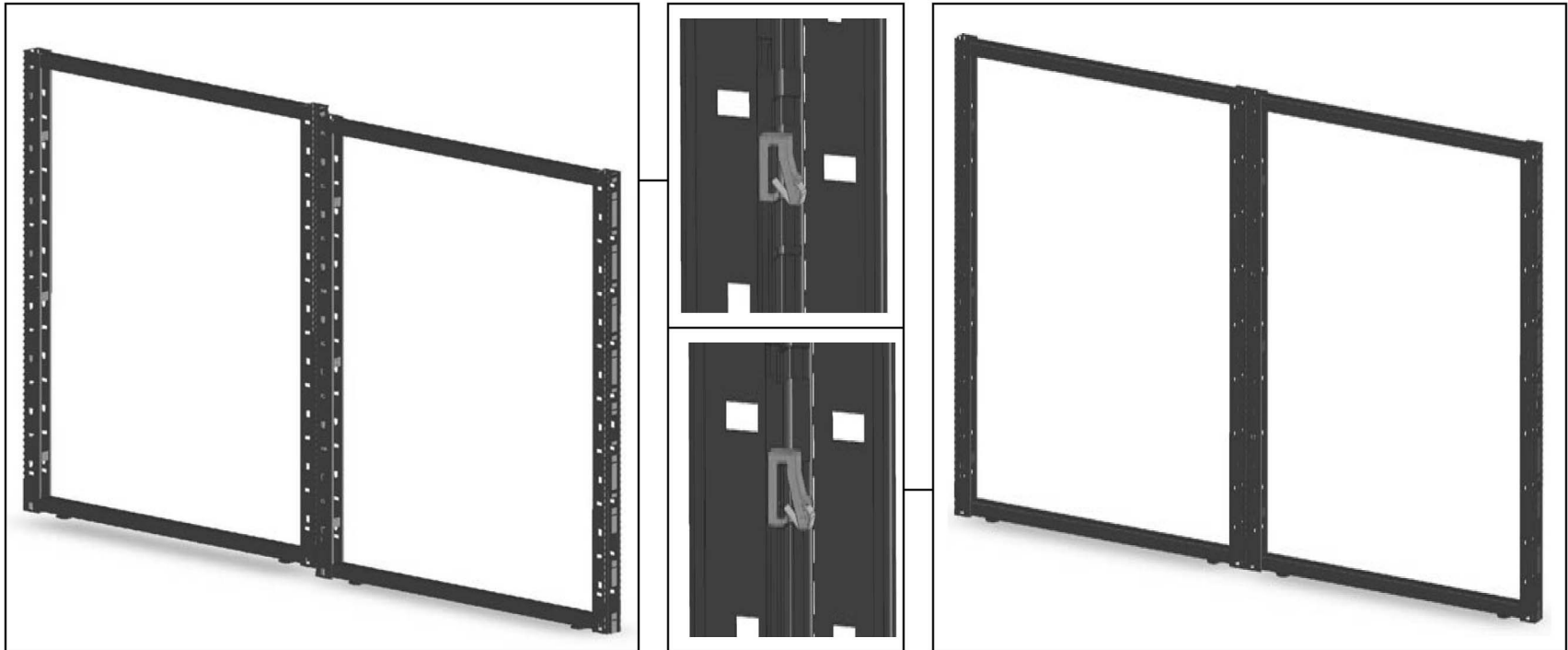
3. Wait to hear the snap to let you know that its secured.

SNAP

Trendform Systems Installation Procedures

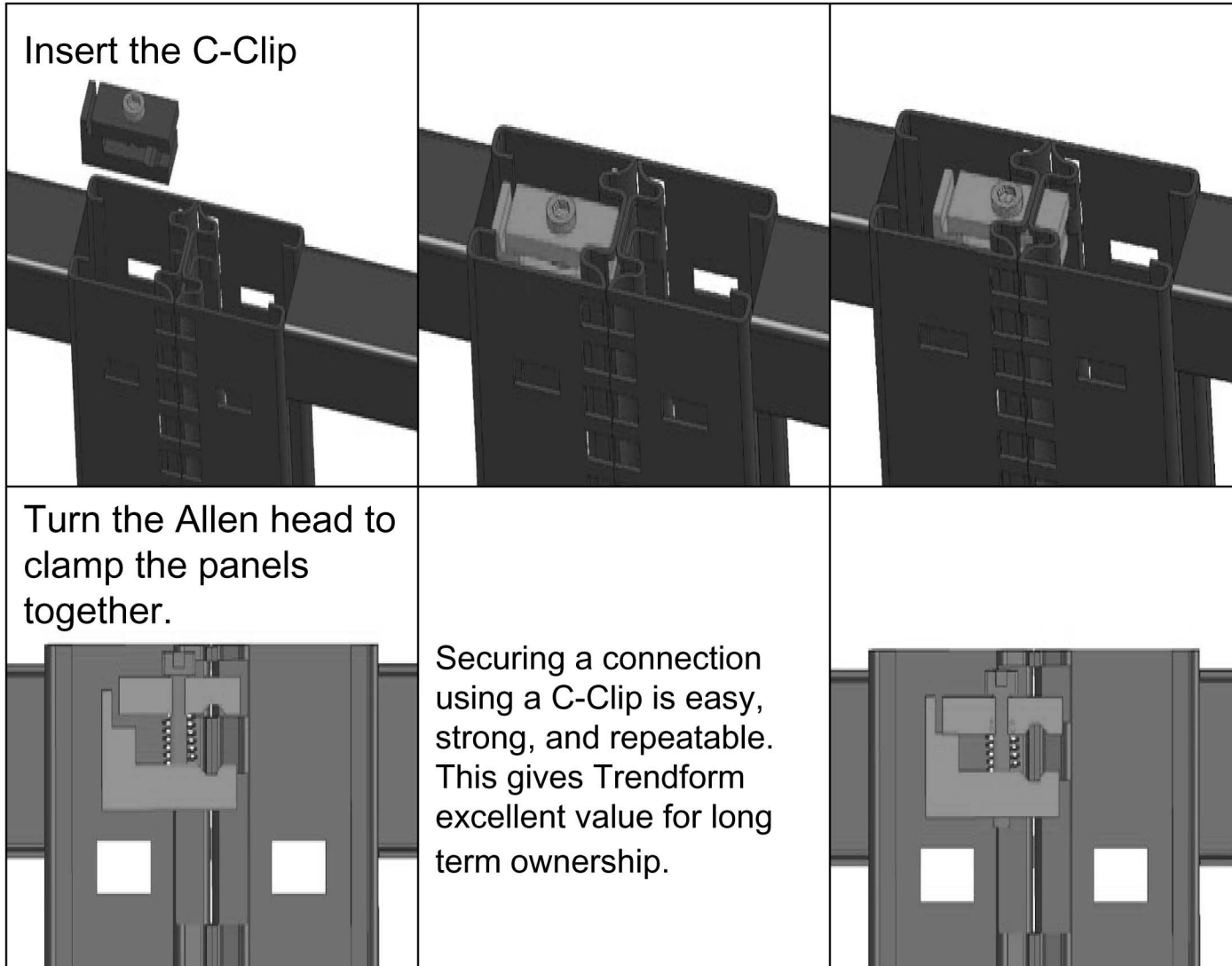
Panel to Panel or Panel to Connector.

With the A-Clips installed, insert the end of the loose panel into another panel or connector. This will setup the panel to be secured and provide a strong junction. All this has been done **with no tools**.



Trendform Systems Installation Procedures

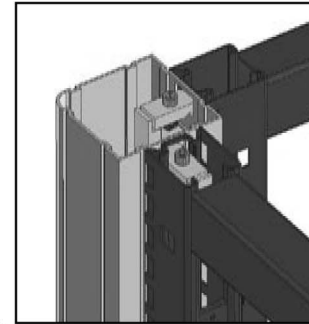
Securing a connection.



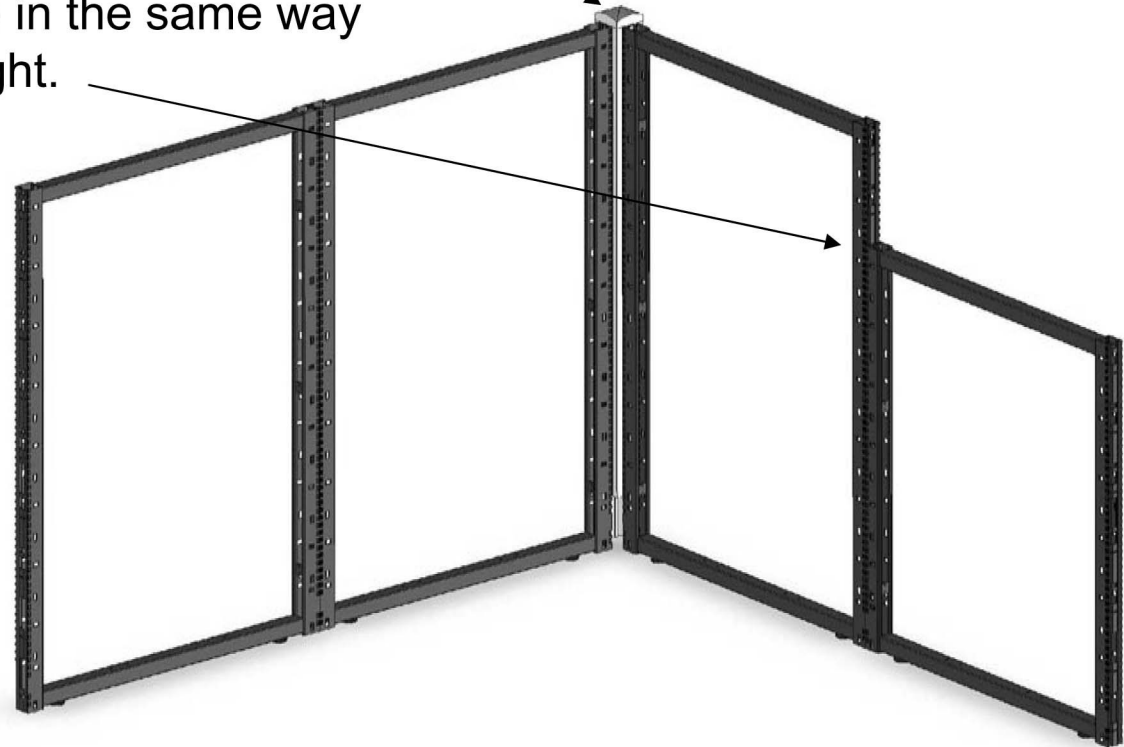
Trendform Systems Installation Procedures

Other Connections.

Trendform 2, 3, and 4 way connections all attach in the same way as shown before and come with a finish cap.



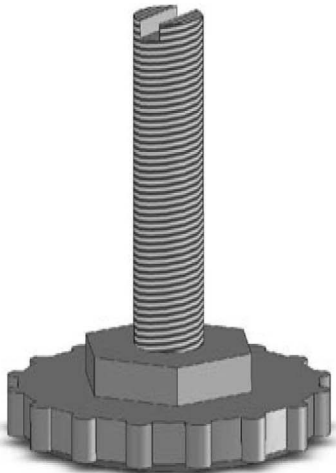
Panels connect in-line in the same way
Any height to any height.



Trendform Systems Installation Procedures

Level the frames.

Frame leveling is easy when you have **1.5"** of adjustment. A few turns of each glide should be all you need to set the frames level.



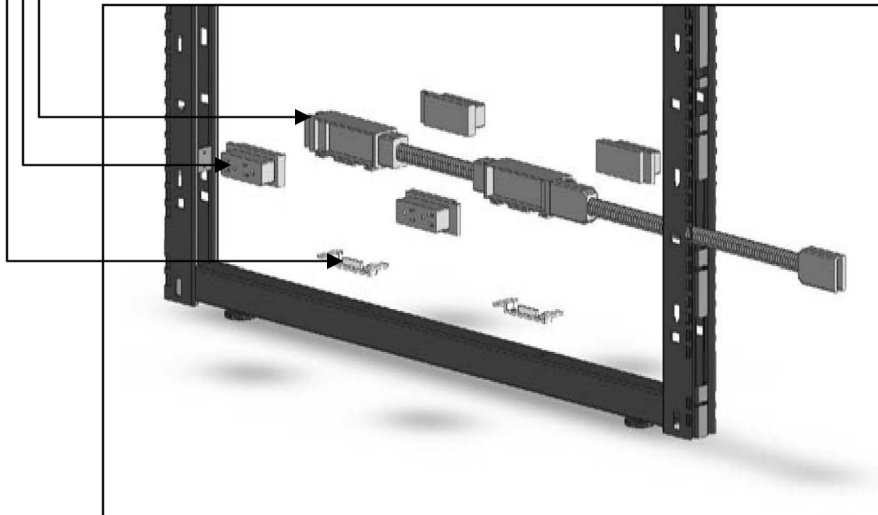
Trendform Systems Installation Procedures

Install Electrical.

Mounting Brackets

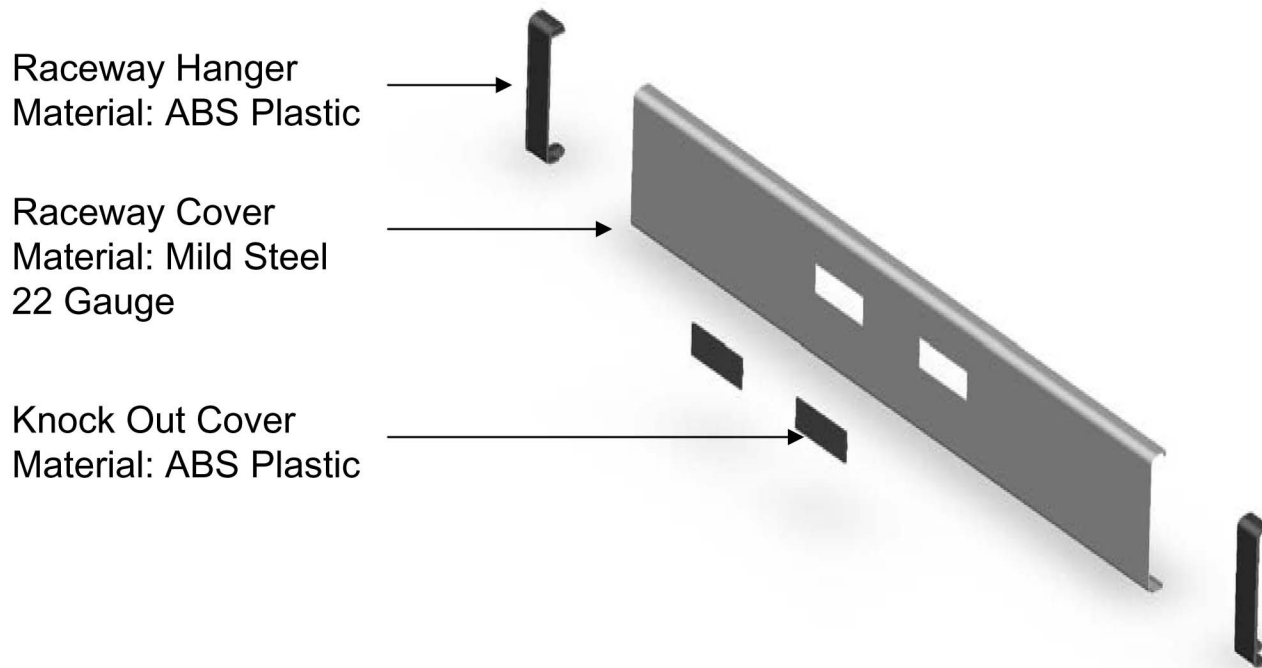
15amp Duplex Receptacles

8-wire 3+D electrical UL listed



Trendform Systems Installation Procedures

Base Cover Assembly

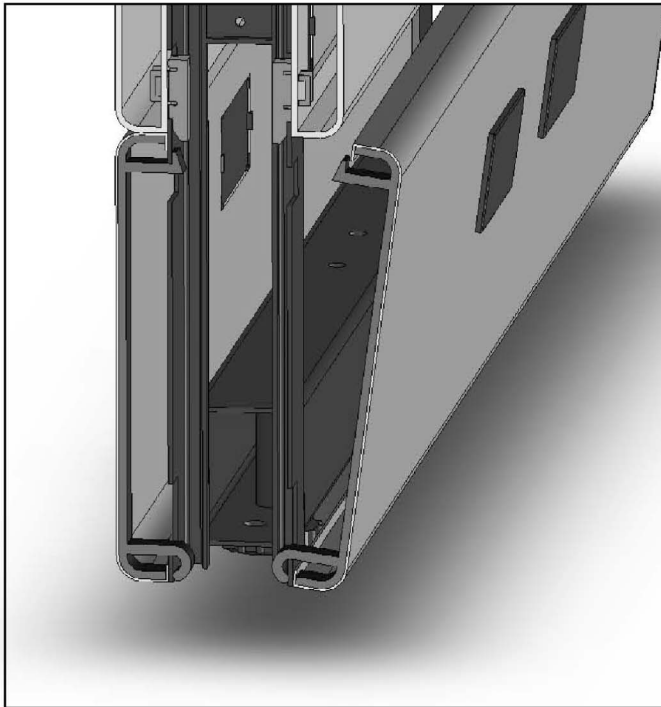


Two base cover assemblies are included with every panel frame.

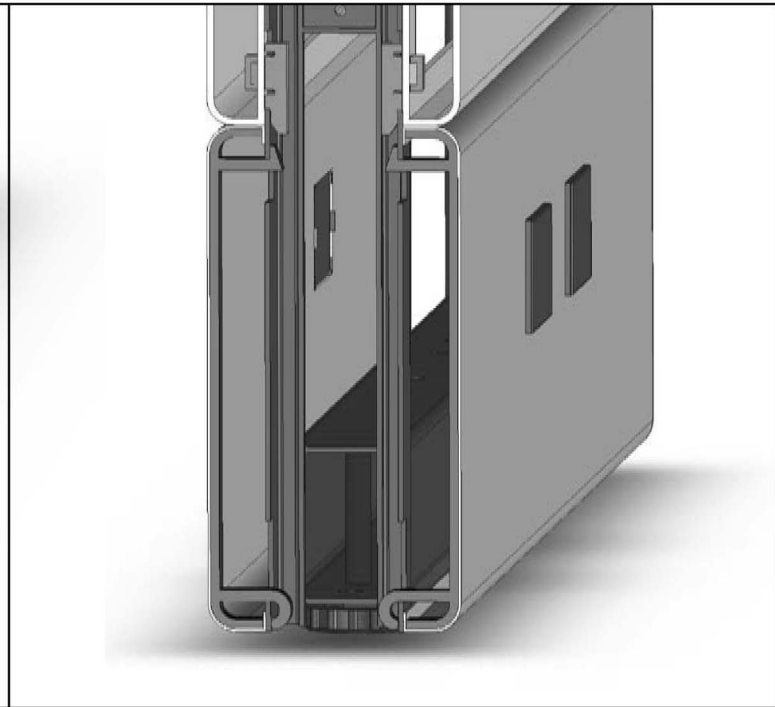
Trendform Systems Installation Procedures

Base Cover Installation

Hook



Snap

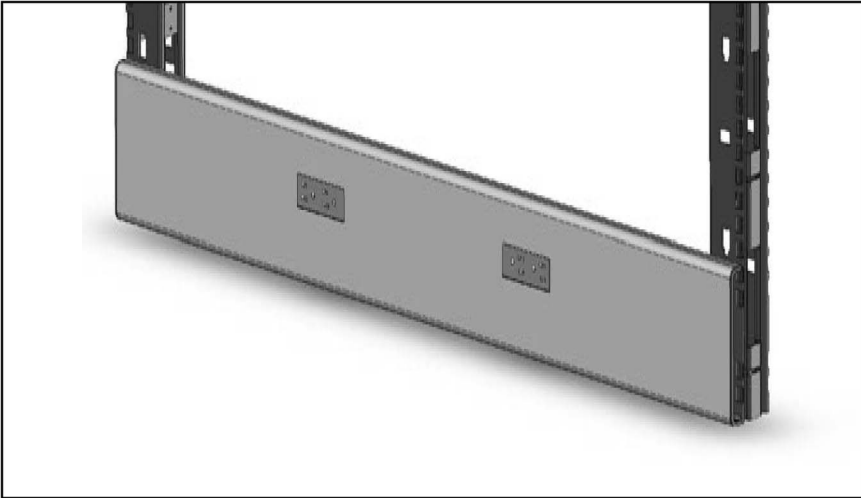


Installing base covers is done by hooking the bottom of the base cover to the panel frame. Then rotating it upward to snap into the panel.

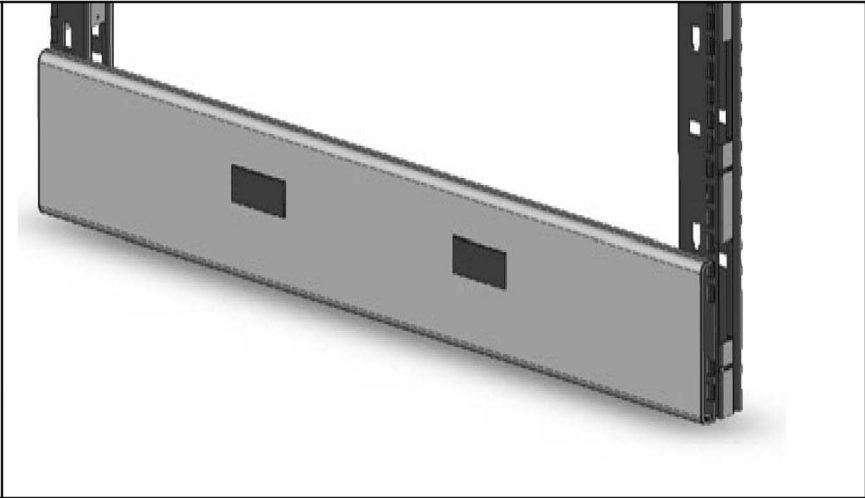
Trendform Systems Installation Procedures

Base Cover Installed

Electrical Raceway



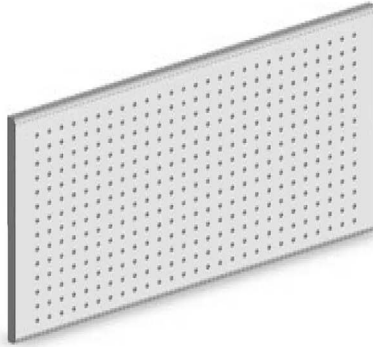
Non-Powered Raceway



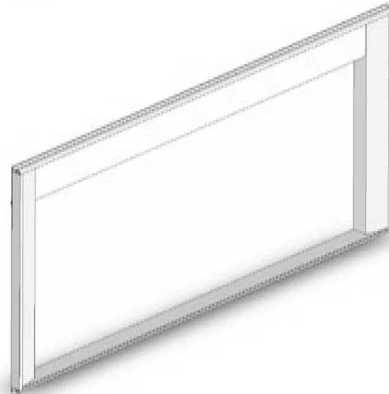
Trendform Systems Installation Procedures

Tile options and types

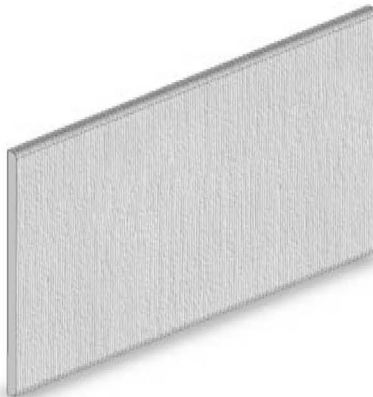
Perforated Airflow
Embossed Circles
Embossed Squares



Clear Glass
Etched Glass
Marker Board



Fabric on Steel
Tackable Acoustical

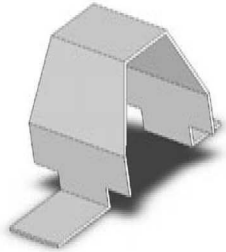


Height of Panel	Number of 8" Tiles on a Single side
38	4
46	5
54	6
61	7
69	8
85	10

Tiles are available in models 8", 16", and 24" high. In the above chart 8" quantities are shown. A 16"h would take the place of two 8"h tiles, and a 24" would take the place of three 8"h tiles.

Trendform Systems Installation Procedures

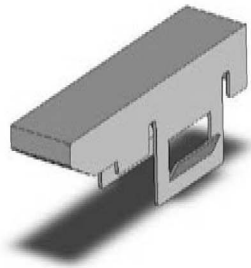
Tile Assemblies-Fabric or Tack/Acoustical Tile



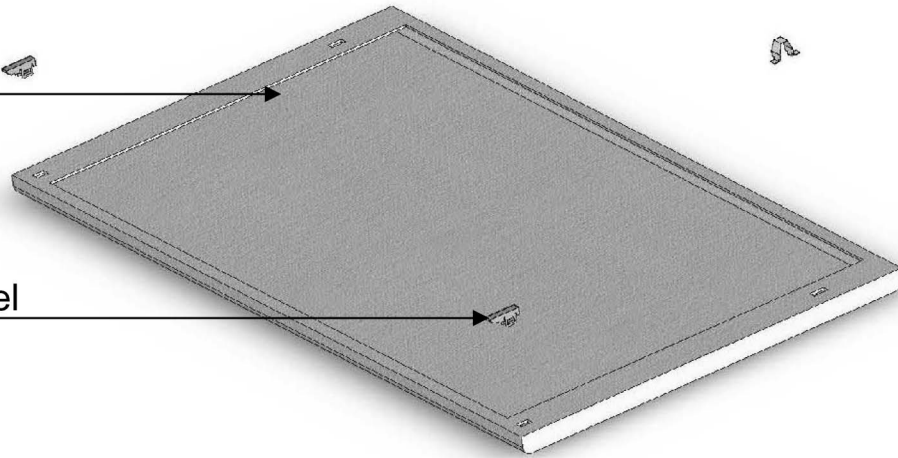
Tile Clip
Material: Spring Steel
Qty 2 per tile



Fabric Tile
Fabric on Metal: Galvanized Steel
Tack/Acc : Galvanized Steel w/
Foam Cork Insert

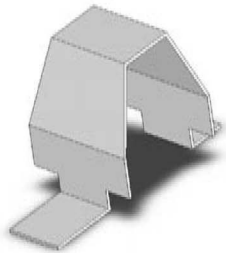


Tile Hook
Material: Galvanized Steel
Qty 2 per tile



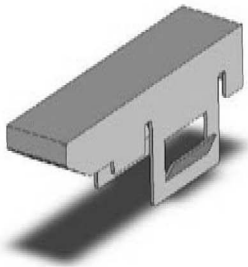
Trendform Systems Installation Procedures

Tile Assemblies- Perforated Airflow, Embossed Circles, Embossed Squares

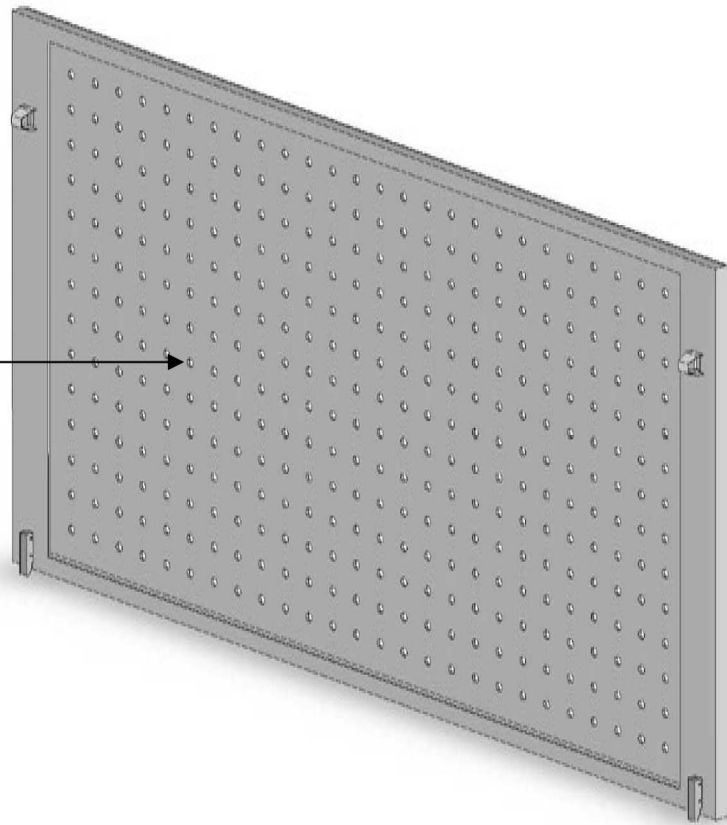


Tile Clip
Material: Spring Steel
Qty 2 per tile

Perforated Airflow (Shown)
22 Gauge Mild Steel



Tile Hook
Material: Galvanized Steel
Qty 2 per tile



Trendform Systems Installation Procedures

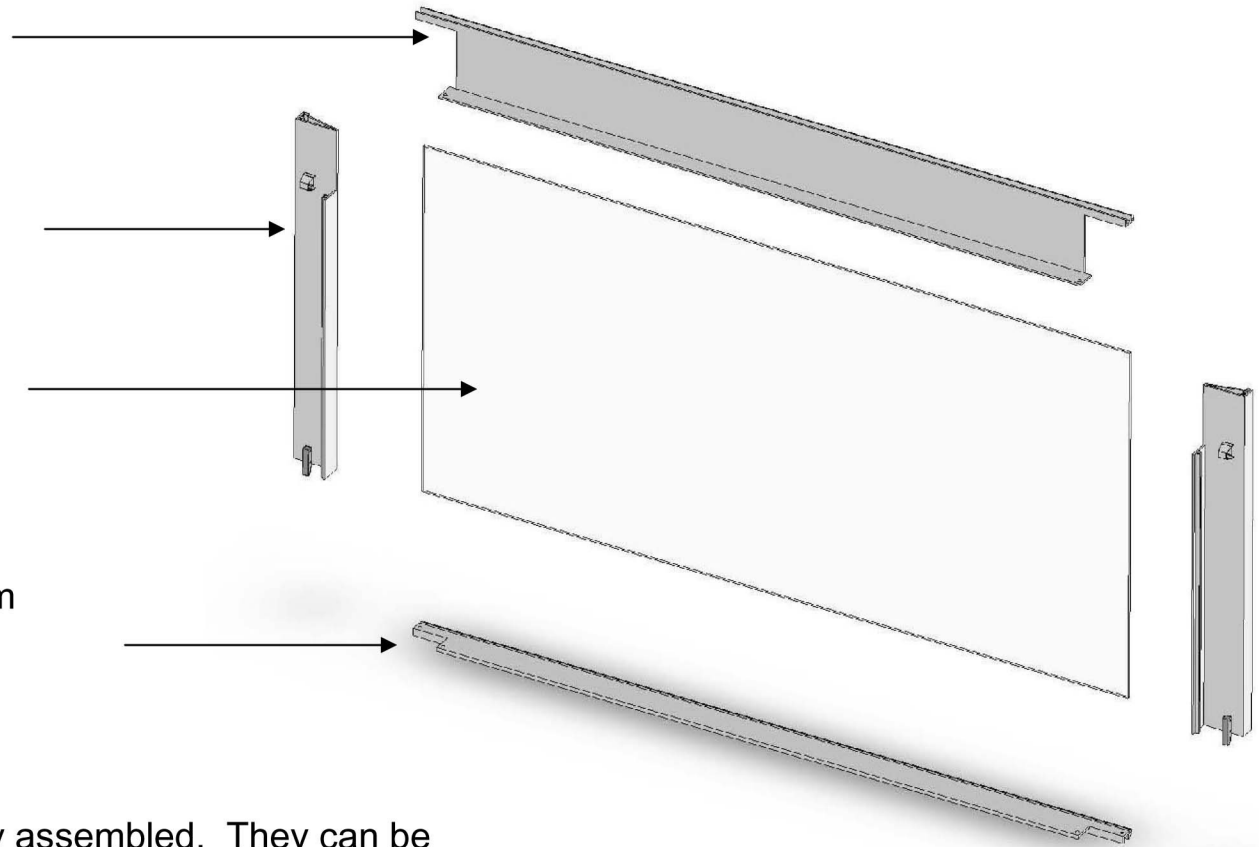
Tile Assemblies- Clear Glass, Etched Glass, Marker Board

Glass Tile Top Trim
Material: Extruded
Aluminum

Vertical Support Trim
Material: Extruded
Aluminum

Glass
Material: Tempered
Glass

Glass Tile Bottom Trim
Material: Extruded
Aluminum



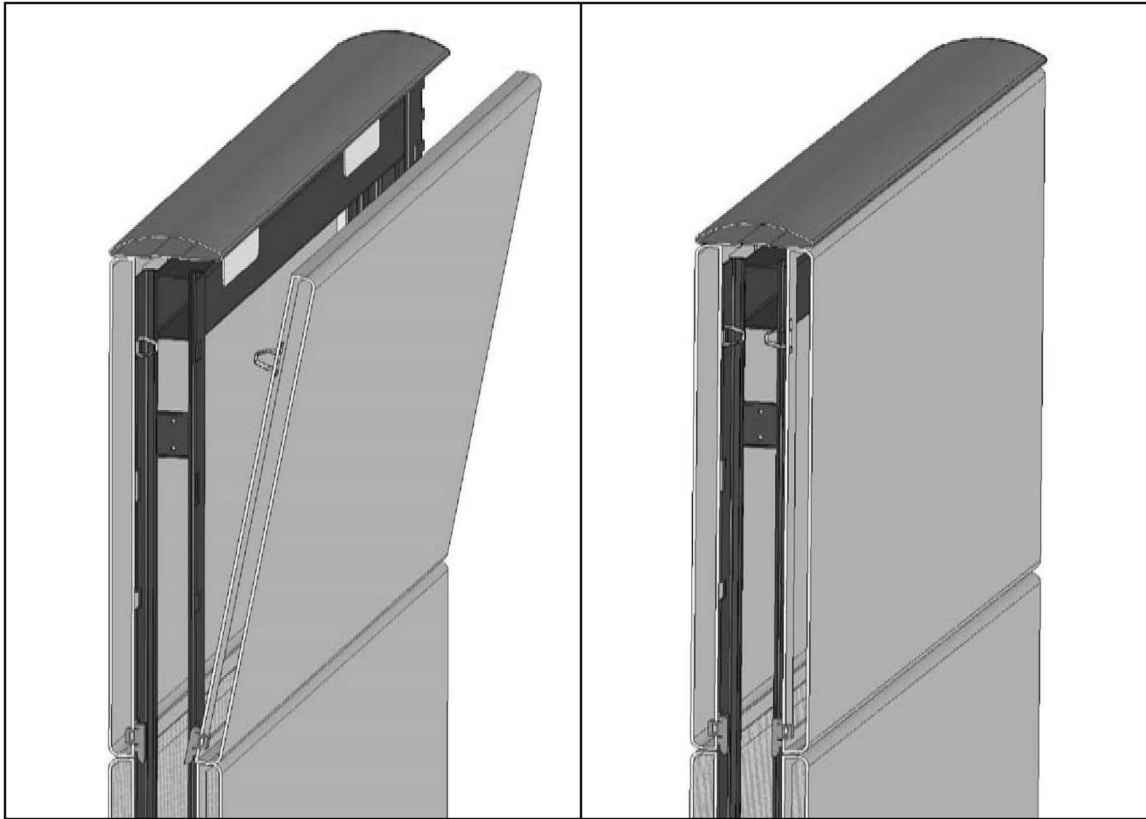
Tiles come completely assembled. They can be disassembled and reassembled in the field.

Trendform Systems Installation Procedures

Tile Installation

Hook

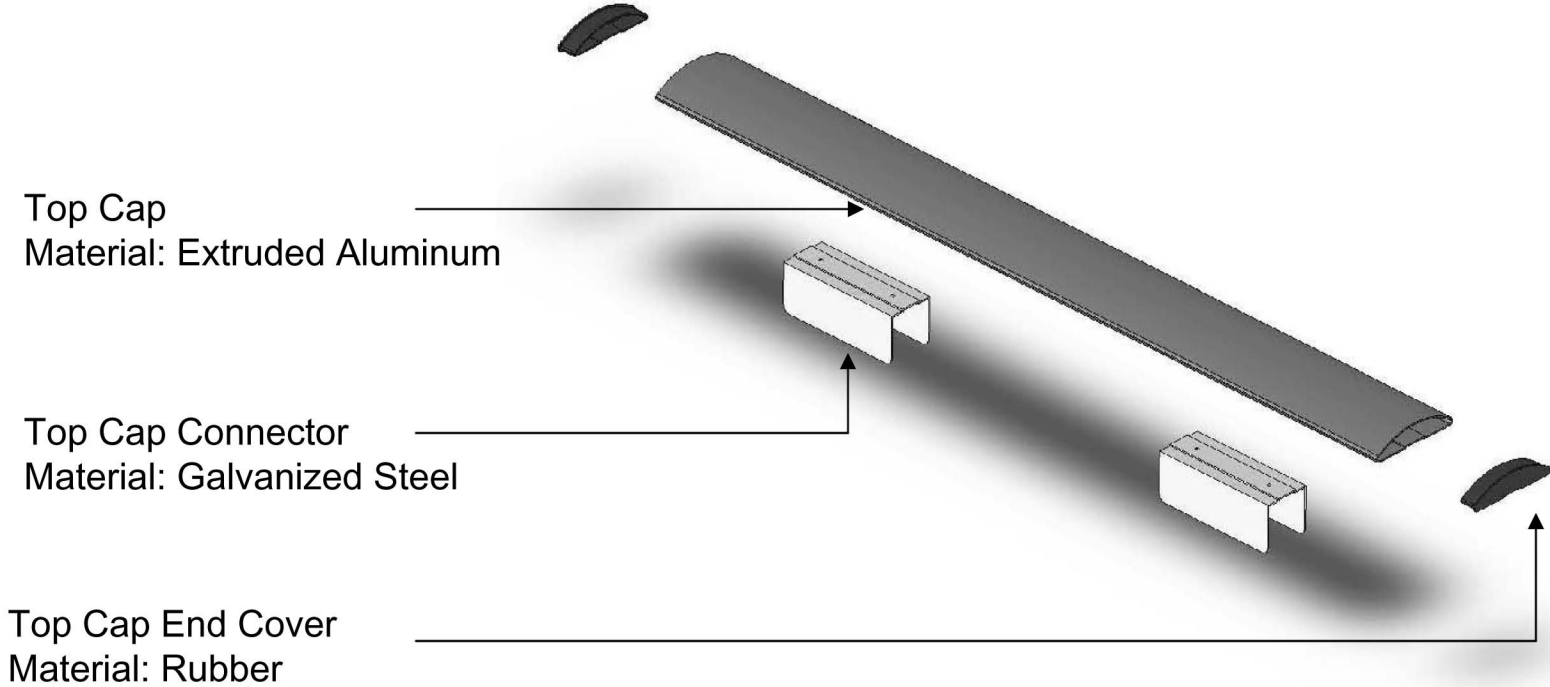
Snap



Installing tiles is done by hooking the bottom of the tile to the panel frame. Then rotating it upward to snap into the panel.

Trendform Systems Installation Procedures

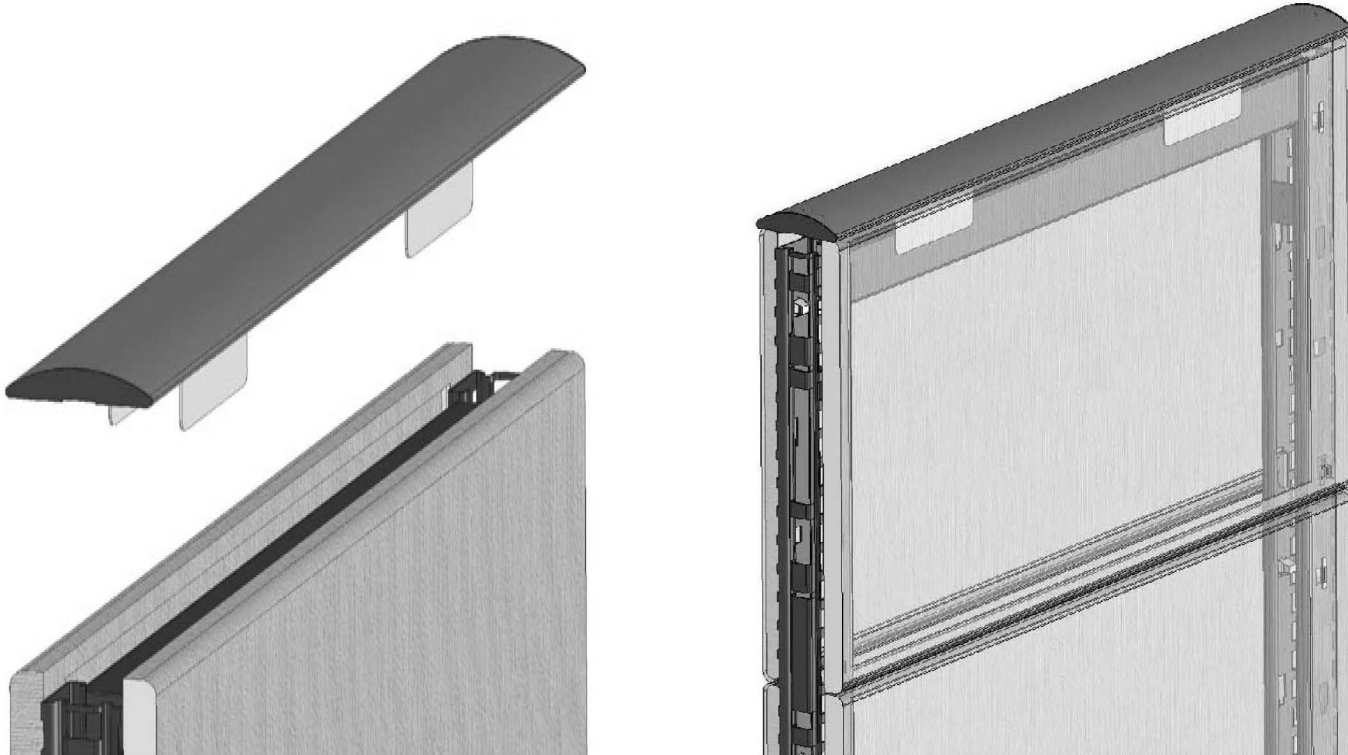
Top Cap Assembly



Trendform Systems Installation Procedures

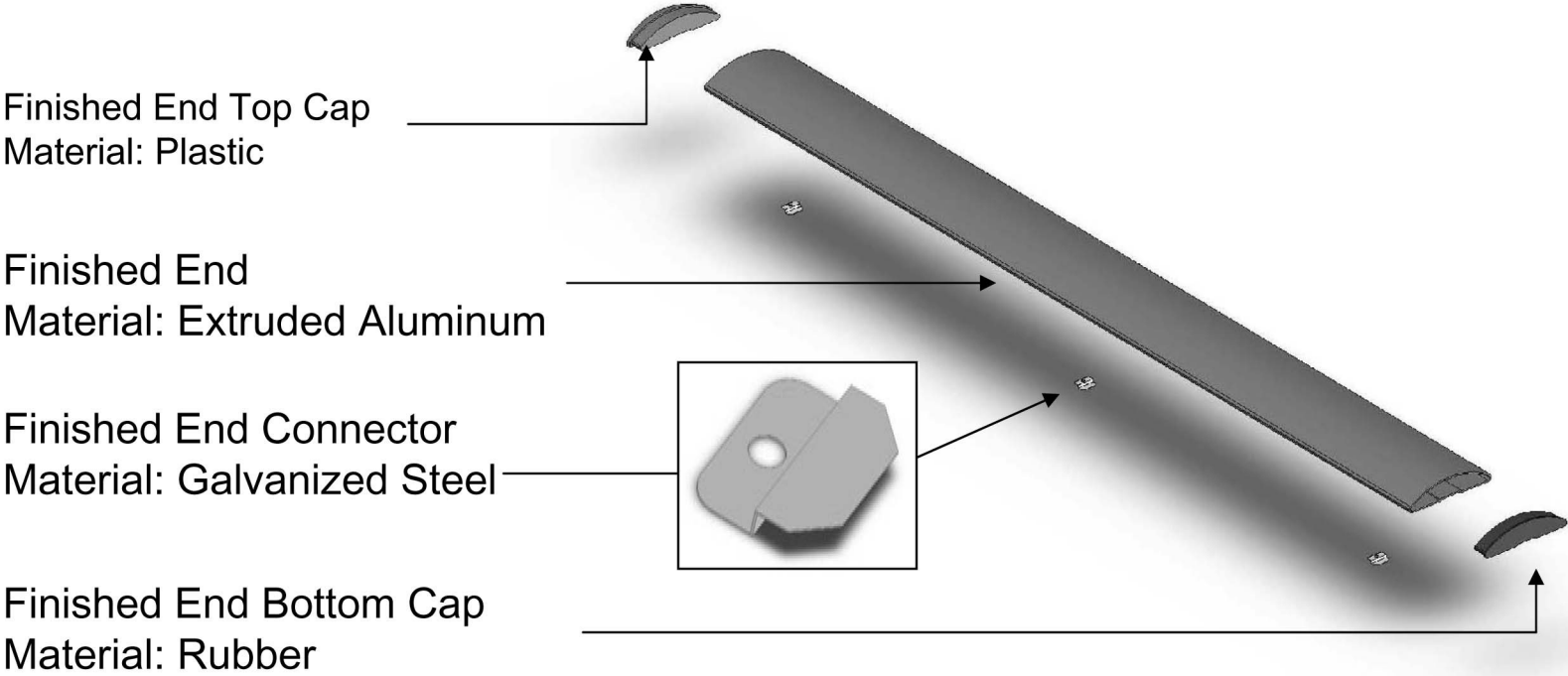
Top Cap Installation

The top cap installs using a friction fit over the top horizontal support member.



Trendform Systems Installation Procedures

Finished End Assembly

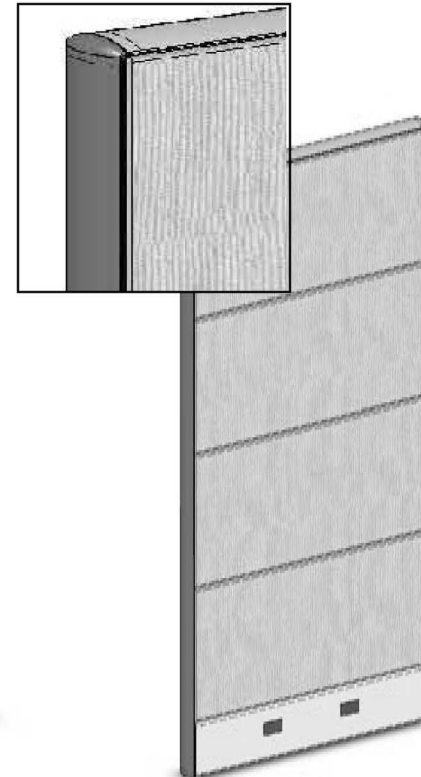
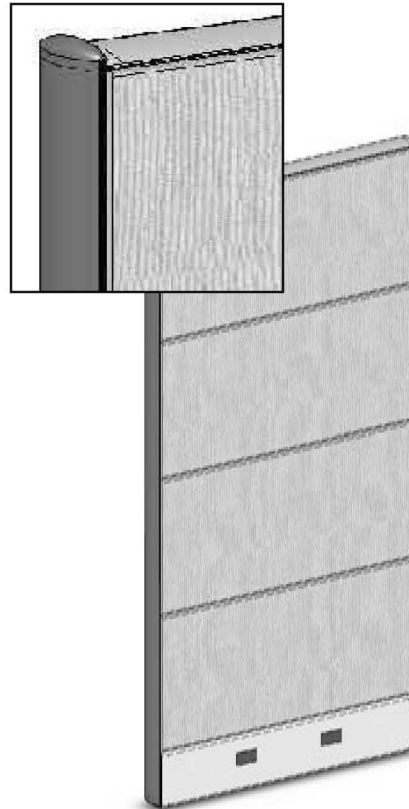
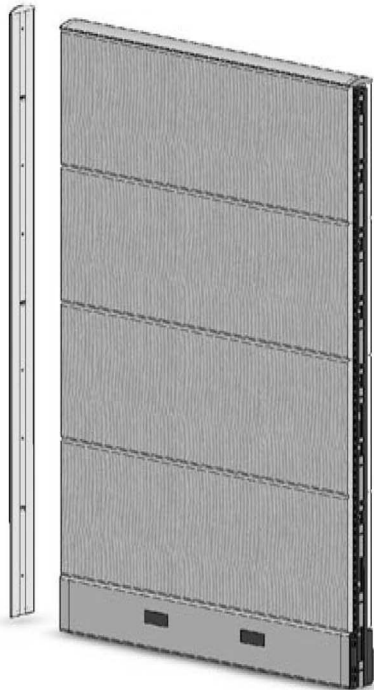


Trendform Systems Installation Procedures

Finished End Installation

Installing a finished end is as easy as 1, 2, 3.

1. Align the finished end connectors with the openings on the end of the panel.
2. Make sure it is roughly inline with the top cap.
3. Depress for a tight fit.



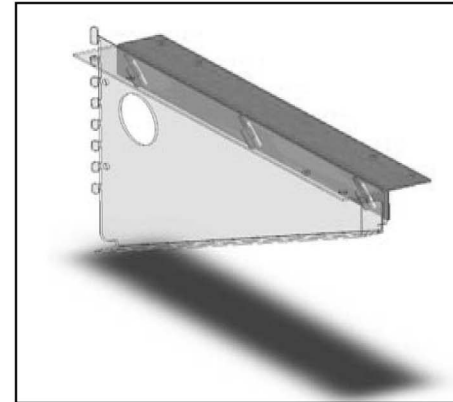
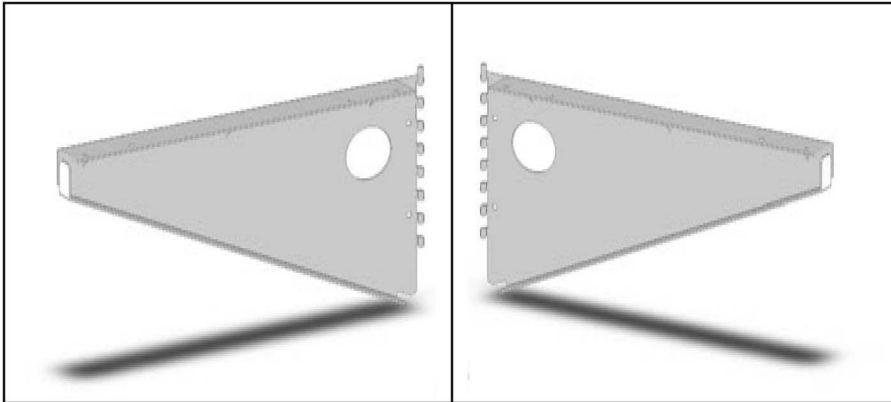
Trendform Systems Installation Procedures

Work Surface Supports

Cantilever Left

Cantilever Right

Shared Cantilever Bracket



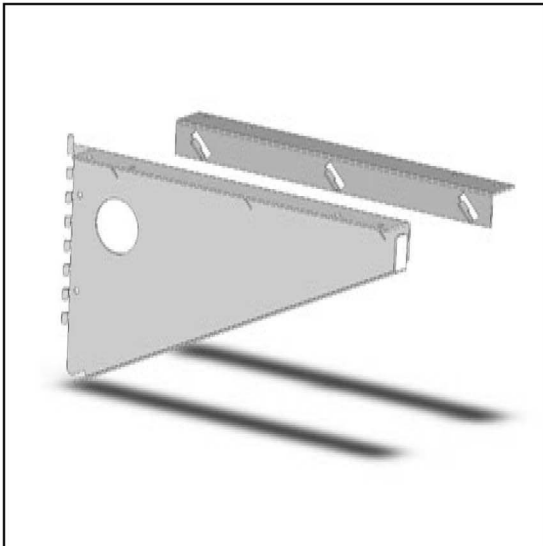
- Supports worksurfaces 18" and deeper.
- Access hole for wire management.
- Earthquake Proof.

- Attaches to left or right hand cantilever.
- Turns any regular cantilever to shared.

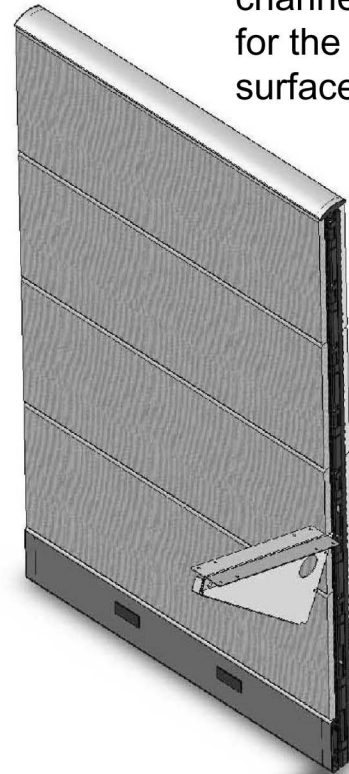
Trendform Systems Installation Procedures

Cantilever installation

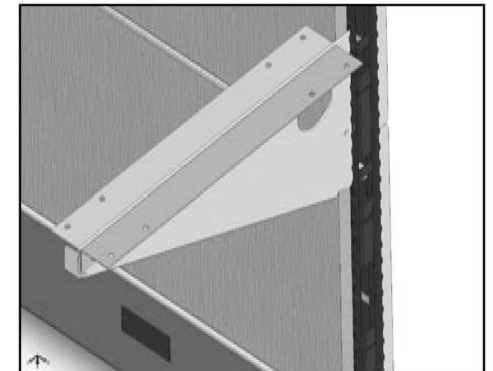
To install the shared cantilever bracket just slide the hook on the bracket into the angled slots on the cantilever.



Angle the top 2 way hook of the cantilever into the vertical channel at the desired height for the bottom of the work surface.



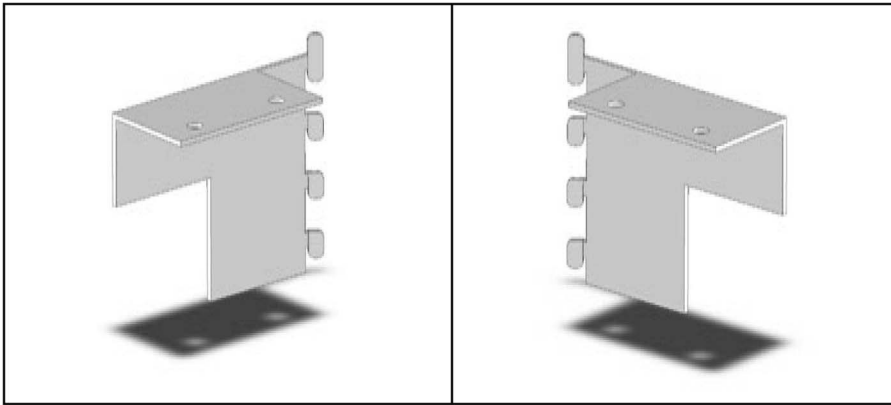
Then rotate the rest of the teeth into position and depress the entire cantilever to secure.



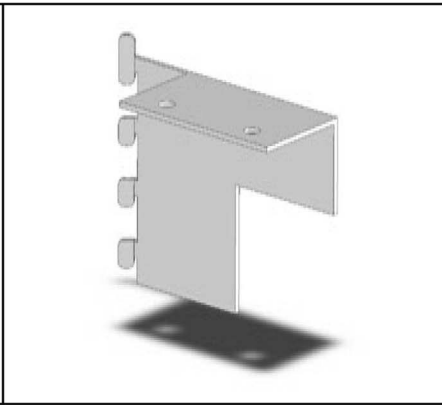
Trendform Systems Installation Procedures

Other Work Surface Supports

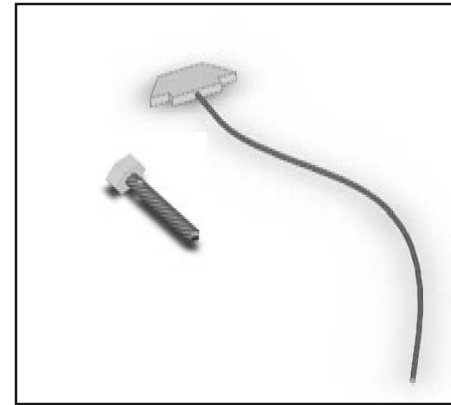
Corner Bracket Left



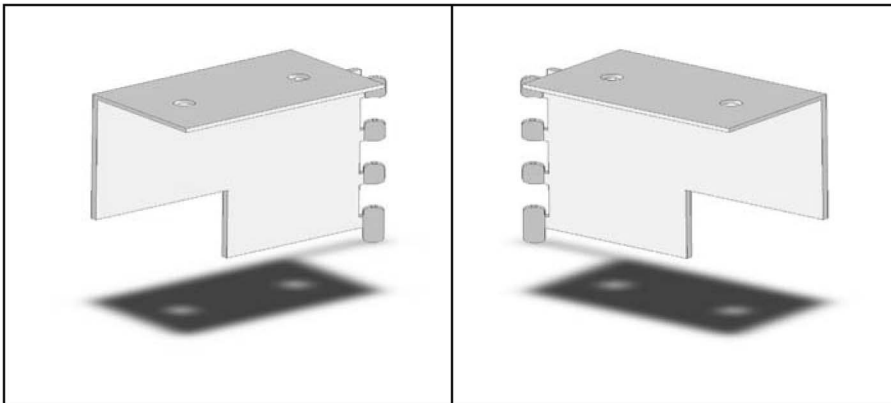
Cantilever Bracket Right



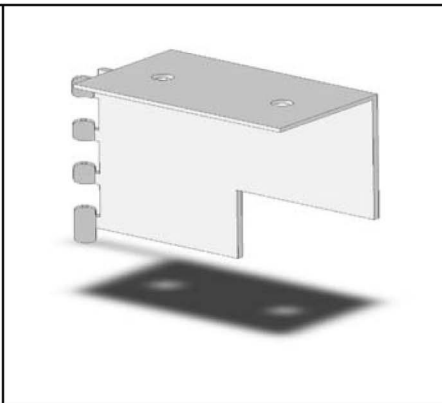
Batwing Connector



Transaction Top Support
Left



Transaction Top Support
Right



Excellent for Securing
Panels Adjacent to
Pedestals

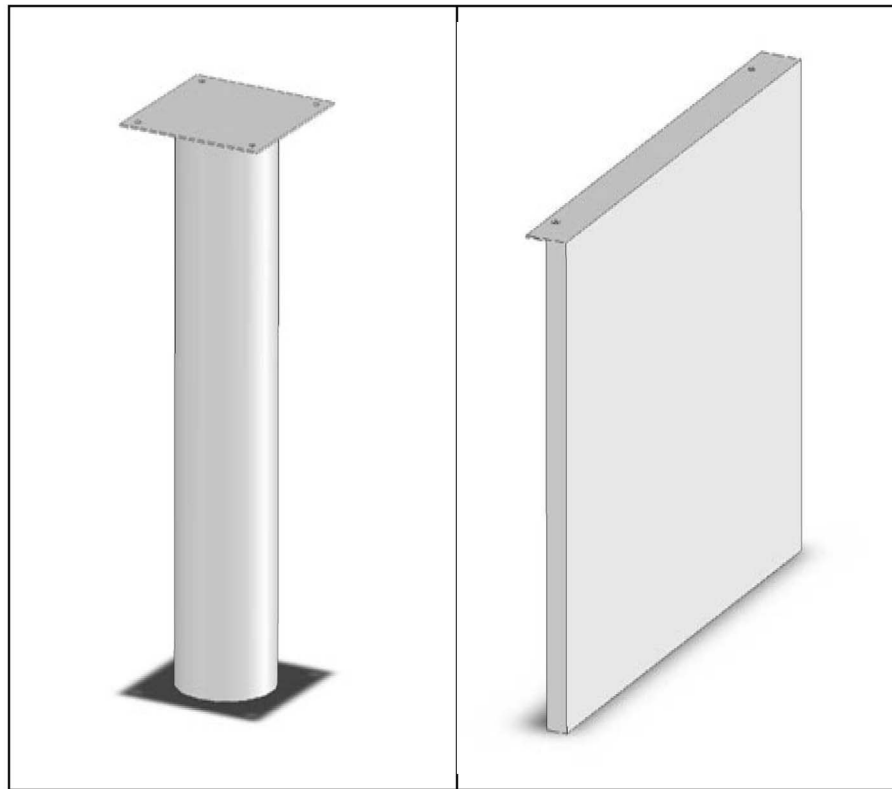
Installation of these
items is identical to
cantilevers

Trendform Systems Installation Procedures

Other Work Surface Supports

Post Leg

End Panel



Includes adjustable glides which can adjust from 27.5" to 29".

Trendform Systems Installation Procedures

Storage Pedestal Features

22 Gauge Steel Construction

ADA Satin Aluminum Pull

1.6 feet of Filing per drawer

Locking is Standard w/ two keys

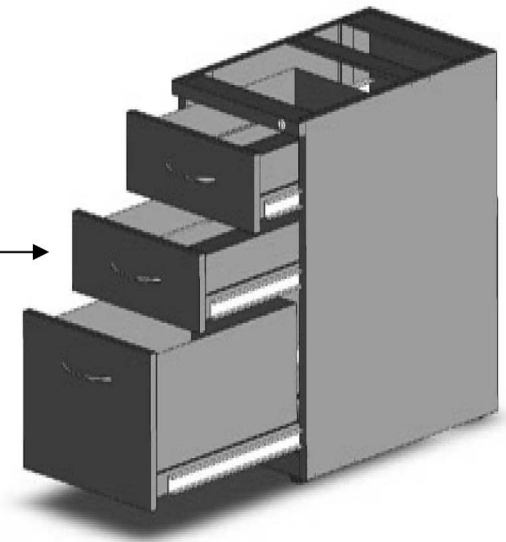
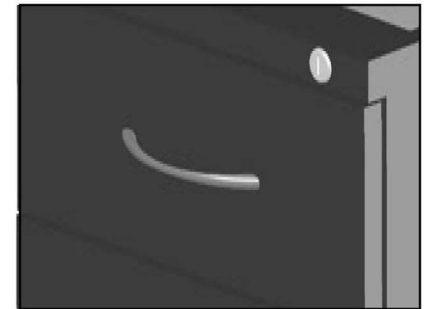
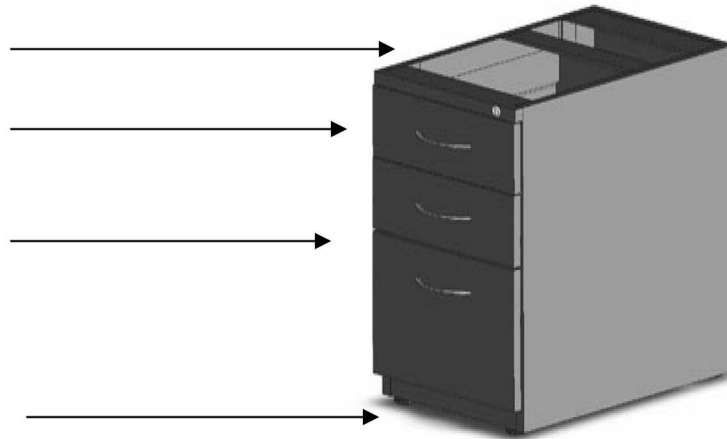
Adjustable Glides 27.5" to 29"H

22" depth allows base cover removal.

Solid Back Surface supporting

Full Extension Bearing tracks Standard.

Available in 22" and 28" depth.



Trendform Systems Installation Procedures

Storage Pedestal Available

Box Box File

22"D x 14.75"W x 27.5"H



File File

22"D x 14.75"W x 27.5"H



Box Box File

28"D x 14.75"W x 27.5"H



File File

28"D x 14.75"W x 27.5"H



2 Drawer Lateral

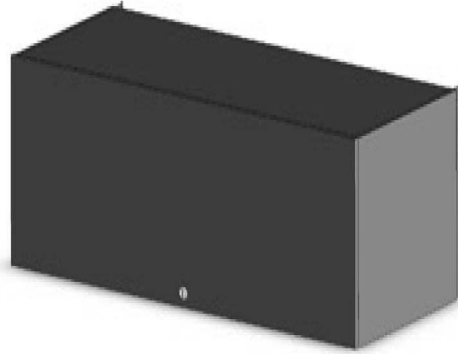
18"D x 36"W x 27.5"h



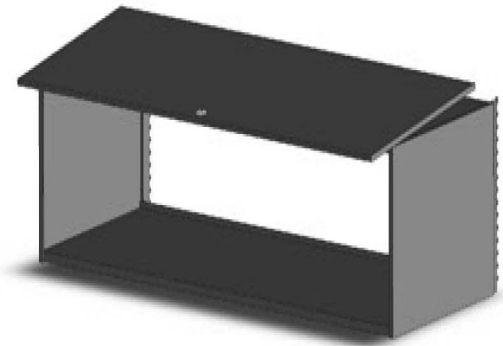
Trendform Systems Installation Procedures

Binder Bin Overview

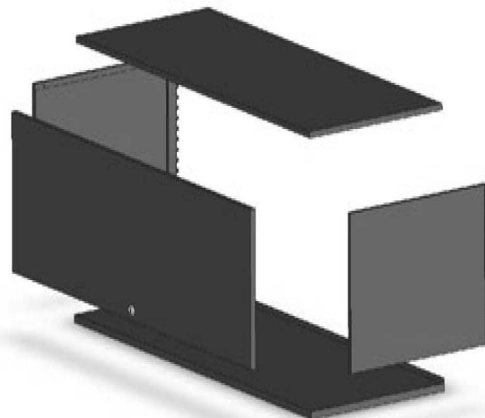
- Flat Front Face w/ Lock Standard
- Locking Standard
- 22 Gauge Steel Construction
- Task light Spring Steel Clip Channel



Flipper Door folds to top of bin.



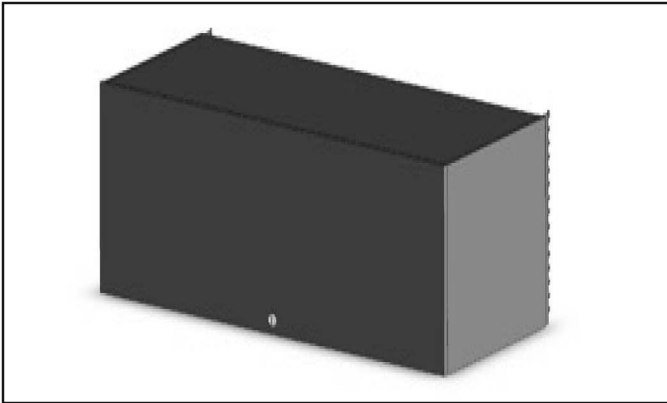
Overhead Storage Bin ships knocked down in box.



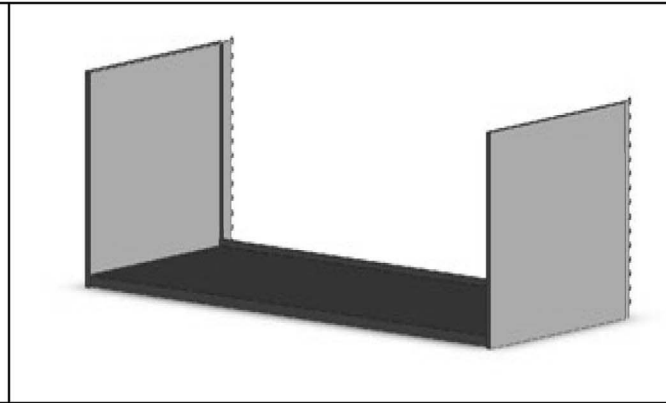
Trendform Systems Installation Procedures

Overhead Storage Available

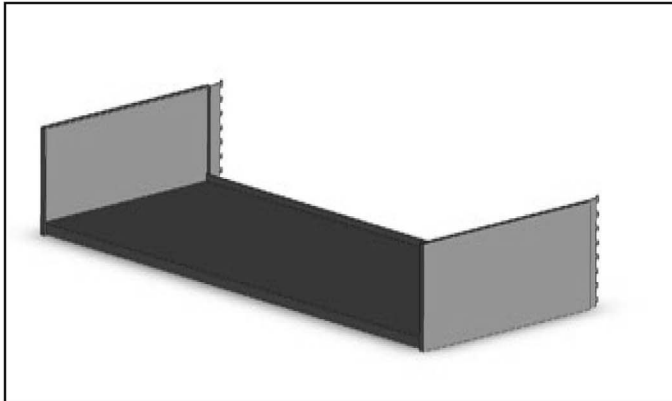
Binder Bin / Flipper Door Unit



Full Height Shelf



Half Height Shelf



- 22 Gauge Steel Construction
- Task light Spring Steel Clip Channel