

# TrendForm

## 2011 Pricing Guide



<b>Table of Contents:</b>	Pg.	2-3
Terms and Conditions		4-6

---

**Panel Frames:**

Panel Frames	7
Tile Specification Detail	8
Door Assemblies	9
Bayonet Stack on Assembly	10
Line of Sight Barrier	11
Panel Frame Connector, A-clip & C-clip	11

---

**Connectors:**

Two Way Connectors	12
Three Way Connectors	13
Four Way Connectors	14
Finished End	15
High Low Finished End	15
Stack-On Connector	16
Wall Starter (wall mounting kit)	17
Wall Tracks	17

---

**Tiles:**

Tackable Acoustical Tiles	18
Fabric Covered Tiles	18
Woodgrain Tiles	19
Accessory Hanging Tiles	19
Painted Steel Tiles	20
Perforated Air Flow Tiles	20
Embossed Metal Tile: Circles	21
Embossed Metal Tile: Squares	21
Tempered Glass Tiles (Top Position)	22
Tempered Glass Tiles (Mid/ Bottom Position)	22
Frosted Etched Tempered Glass Tiles (Top Position)	23
Frosted Etched Tempered Glass Tiles (Mid/ Bottom Position)	23
Open Frame Tiles (Top Position)	24
Open Frame Tiles (Mid/Bottom Position)	24
Marker Board	25

---

**Worksurfaces:**

Rectangular Worksurface	26
Extended Rectangular	27
Rectangular Depth Transition	28
Rectangular Inverted Front	29
Rectilinear Corner	30
Rectilinear Extended Corner, 24" deep	31
Rectilinear Extended Corner, 30" deep	32
Curvilinear Corner	33
Curvilinear Extended Corner, 24" deep	34
Curvilinear Extended Corner, 30" deep	35
D-Top Curvilinear Corner	36
Peninsula D Shaped	37
Peninsula P Shaped	38

## **Worksurfaces (cont.):**

---

Quarter Round	39
120 deg Quarter Round	39
Spanner Half Round End	40
Spanner Quarter Round End	40
120 deg. Corner (90/90)	41
120 deg. Corner (120/120)	42
120 deg. Corner (90/120)	43
120 deg. Corner (120/90)	44
120 deg. Return (120/90)	45
120 deg. Return (90/120)	46
Rectangular Transaction Top	47
Corner Transaction Top	48
Extended Corner Transaction Top	49
Radius End Transaction Top	50
Rect. Bow-Front Transaction Top	51

## **Worksurface Supports:**

---

Peninsula Support Column	52
End Panel Support	52
Universal Cantilever	53
Shared Cantilever Bracket	53
Corner/End Support Bracket	54
Transaction Top Support Bracket	54
Flat Plate Bracket	54

## **Electrical Components:**

---

Single and Double Block Raceways	55
Pass Thru Cable	56
Ceiling/End of Run Power Feeds	57
Side Mounted Base Feed	57
Duplex Receptacles	58
Power/Data Center	58
Beltline Tile	59
Middle Alignment Bracket	59
Power / Data Pole Kits	60
Voice/Data Adapter Kit	61
Voice/Data Plate	61
Blank Voice/Data Plate	61

## **Storage and Accessories:**

---

"B" Radius Front Pedestals	62
"SA" Square Front Pedestals	63
Lateral Files	64
Flipper Door Cabinets	65
Open Shelf (full and half height)	66
Keyboard Trays	67
Pencil Drawers	68
Task Lights	68
Tool Rail Tile Accessories	69-71

# TERMS AND CONDITIONS

## PRICING AND DISCOUNTS

Prices shown in this guide are list prices in United States Dollars. All products shall remain the property of CUSP Office Products until all merchandise is paid for in full.

All prices in this price list are suggested retail and are subject to change without prior notice. We make every effort to notify our customers of such changes. This price list supersedes any verbal price quotes or older price lists and expired electronic pricing released through 20/20 GIZA Studio and CAP Studio design software.

Dealer pricing is determined by size of order, product destination and other criteria. Please contact your factory representative for additional information.

## ORDER ACKNOWLEDGEMENT

An order acknowledgement will be sent to you electronically or via fax upon receipt of order to confirm quantities, items ordered, colors, options and prices effective at time of the order acceptance (prices may vary from your published list). Please review your acknowledgement carefully to insure order accuracy. If there are any discrepancies, please call CUSP Office Products (713-222-2539 or 888-464-9345) or email ([customerservice@culp.net](mailto:customerservice@culp.net)) immediately. It is the customer's sole responsibility to insure that the correct items with the correct options and finishes have been ordered. In the event of a discrepancy, a revised acknowledgement will be sent by CUSP Office Products. A signature by the customer or authorized agent is required prior to order being accepted and processed.

Order processing will be delayed and begins only after receipt of all proper and complete information. Lead times are based on the receipt of a correct, legible and signed purchase order that has been approved for credit. In the case of a credit issue, no acknowledgement will be sent until credit clearance is finalized. If the order is subject to a credit hold then lead time will be applied at the time the order is released from the credit department.

Approved orders received by 12:00 noon central time will be entered the subsequent business day and be considered the start of lead times. The final acknowledgement provided by CUSP Office Products will be deemed as the final and approved order.

## TERMS

Standard terms are 50% deposit along with a signed purchase order for Established customers. The balance is due upon receipt of invoice. We ask you to respect these terms to help us protect your competitive pricing. Credit terms may be changed or cancelled at the discretion of CUSP Office Products.

1. All new accounts are required to submit a 50% deposit of the order amount prior to order entry. The balance will be due upon pick-up or release to common carrier. A line of credit may be established upon acceptance of satisfactory references and completion of a CUSP Office Products Credit Application. CUSP Office Products will no ship C.O.D.

2. The customer will be liable for any cost incurred in the attempt to collect past due amounts, including attorney fees, whether or not a lawsuit is filed. Past due accounts are subject to 1.5% per month (18% per annum) late charge, or maximum amount permitted by law, for each thirty days or part thereof, that the outstanding balance remains unpaid. Withholding payments because of carrier damages, shortages or other disputes is illegal and subject to charges. Deductions from invoices for any reason are not allowed without prior written approval from CUSP Office Products or authorized agent.

## Order Changes and Cancellations

"No fee for order changed or cancelled within **3** business days."

Changes and cancellations after three business days from receipt of signed acknowledgement cannot be made without the approval of CUSP Office Products. We will accept changes and cancellations in writing via electronic mail only ([customerservice@culp.net](mailto:customerservice@culp.net)). Additions or changes to orders, when accepted, may cause delays in shipping.

### ***In-Stock Program***

Cancellations or revisions will not be accepted after the order has shipped.

### ***Factory Orders***

Cancellation or revisions will not be accepted after the order has been acknowledged and entered into production and any deposit made will be forfeited.

## Add On Orders

All dealers are able to place add on orders at the same discount of the original order. These orders apply to any additional CUSP product required. This will be possible for a period of 30 days following the ship date of the original order and will apply for orders shipping to the same end user only.

## LIFETIME WARRANTY

This warranty is given to the initial purchaser and is valid for as long as the product is owned by the original Buyer. The warranty, which runs from the date of manufacture, covers defects in materials and craftsmanship found during standard commercial use of the products during the warranty period. Standard commercial use is defined as the proper usage by individual(s) who work an (8) eight hour, single shift work day. If a product is defective, and if written notice of the defect is given to CUSP within the Applicable Warranty Period, CUSP at its option will either repair or replace the defective product with comparable component or product. When repairing or replacing a defective product, CUSP does not guarantee matching color, grain, texture or dye lots. This warranty does not cover the cost of freight, transportation or labor. CUSP makes no warranty that any of its products are suitable for any particular purpose and makes no other warranties, expressed or implied, other than those set forth here. In no event shall CUSP be liable in either tort or contract for any loss or direct, special, incidental, consequential or exemplary damages. This warranty does not cover damage caused by transportation, dealer labor, field service or delivery charge.

### Applicable Warranty Period

### Products / Restrictions

Lifetime (as described above)	All TrendForm Products (Except as noted below)
Ten (10) Years	Electrical Products and Components
Five (5) Years	Moving parts, which includes keyboard mechanisms, glides, suspensions, casters as well as all TrendForm fabrics
One (1) Year	Whiteboards

This warranty does not apply to "normal wear and tear" damage caused by carrier, damage caused by transport of product from one site to another, alterations to the product not expressly authorized by CUSP, products considered to be of a consumable nature such as bulbs, electronics. It also does not apply to "Customer's Own Material" (i.e. material supplied by Buyer that is not standard CUSP product offering) used in the manufacture of CUSP products. A product will not be considered defective, and CUSP will not be obligated to replace it, if the product is not installed properly, or it is used in a "non standard" fashion as proscribed by CUSP. It is at the sole discretion of CUSP to make a determination if defect is due to improper product installation or use.

This warranty is presented in lieu of all other warranties, expressed or implied, including but not limited to, any implied warranties of merchantability of fitness for a particular purpose. The customer's exclusive remedy with respect to any and all losses or damages resulting from any cause whatsoever shall be repaired or replaced as specified above.

Seller (CUSP) shall not be liable under any circumstances for consequential, economic, or incidental damages of any nature, including without limitation, damages for personal injury or damages to property, however occasioned, whether alleged as resulting from breach of warranty or contract by CUSP or negligence of CUSP or otherwise.

International Warranties may differ.

## Freight Policy

FOB Origin. Delivery includes standard Monday through Friday 9am to 5pm deliveries. After hours, holiday, weekend or specific time delivery requirements may be arranged for an additional charge. Delivery windows on all orders can be arranged through the freight carrier directly. You can receive your tracking information by calling or e mailing CUSP customer service.

## Deductions

Deductions from invoices are not allowed, for any reason, without authorization from CUSP.

## Delay of Shipment

Acceptance of CUSP acknowledgement confirms the estimated order ship date. If dealer requests delay of shipment for any period greater than 1 day from scheduled ship date, the following storage fees will be assessed. Dealer must submit purchase order for estimated storage costs:

Less than Full Trailer = \$25 / day / pallet.

Full Trailer Load = \$300 / day / trailer.

## Freight Claims

Dealer is responsible for filing freight claims with the carrier directly. Contact and freight claim information for all regularly used CUSP carriers is available from your account representative. DEALER MUST NOTIFY CUSP customer service of freight damage within 24 hours in order to initiate the replacement process, and submit complete purchase order for replacement product. DAMAGED FREIGHT CANNOT BE REFUSED by consignees; carton damage does not infer damaged merchandise. Freight claim should be filed after delivery has been accepted, with damage noted on delivery receipt. Concealed Damage Claims: Concealed damage claims must be filed with carrier under normal freight claim guidelines. NO DEDUCTION UNDER ANY CIRCUMSTANCES resulting from freight claims may be made by the customer when settling invoices with CUSP. Consignee is responsible for holding damaged merchandise until claim is settled.

## Force Majeure

Seller shall not be liable for failure to perform or for delay in performance due to fire, flood, strike, or any other labor difficulty, act of God, act of any governmental authority or of the Purchaser, riot, embargo, fuel or energy shortage, wrecks or delay in transportation, inability to obtain necessary labor, materials, or manufacturing facilities from usual sources or failure of suppliers to meet their contractual obligations or due to any cause beyond its reasonable control. In the event of delay in performance due to any such cause, Seller reserves the right to extend the date of delivery or time for completion by a period of time reasonably necessary to overcome the effect of such delay, to allocate any available supply of goods in a manner it deems reasonable or to cancel any purchase order.

## Liability

Seller, its contractors, authorized dealers and subcontractors or suppliers of any tier shall not be liable in contract, in tort (including negligence and/or strict liability) or otherwise for any special, indirect, incidental or consequential damages whatsoever, including, without limitations, damages or loss of other property or equipment, loss of profits or revenue or loss of use of equipment (including additional expenses incurred in using existing facilities.).

The remedies set forth herein are exclusive, and the liability of Seller with respect to any contract or anything done in connection therewith, such as the performance or breach thereof, or from the manufacture, sale, delivery, resale or use of any Product covered by or furnished under the order, whether in contract, in tort (including negligence and/or strict liability) or otherwise shall not exceed the price of the Product or part on which such liability is based.

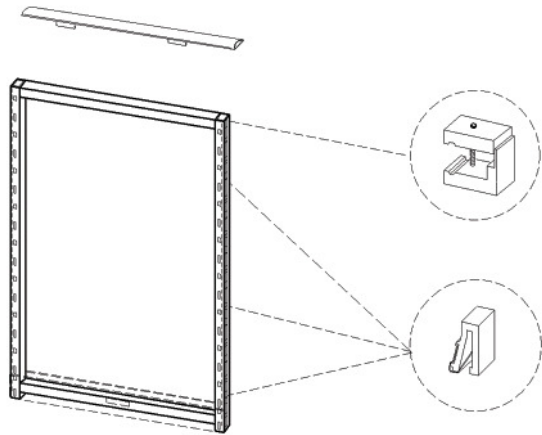
## Local Codes

Seller considers its product to be office furniture and subject to all applicable local fire, electrical and building codes. SINCE LOCAL CODES VARY, THE PURCHASER IS RESPONSIBLE FOR THE PROPER APPLICATION AND INSTALLATION OF CUSP OFFICE PRODUCTS IN ACCORDANCE WITH THE REQUIREMENTS OF THESE LOCAL CODES. Engineering, research and testing have been conducted to have electrical components of CUSP products conform to national electrical codes. Only Underwriters Laboratories or equivalent tested and approved electrical components are used in electrical devices. Seller shall not be responsible for any damages or expenses resulting from Purchaser's specifications not conforming to the requirements of the law or local building codes, unless it specifically agrees in writing to do so. Since Seller has no control over the use to which others may put its Products, each user or specifier should determine the Products' suitability for the particular application.

# PANEL FRAMES

Shaded Items in Price List Available In  
Limited Stocking Program

## Panel Frames



Height	Width	Cat. Number	Wt./Ctn.	List
38"	24"	FM 3824	14.33	\$229
	30"	FM 3830	15.43	\$246
	36"	FM 3836	16.55	\$262
	42"	FM 3842	17.64	\$277
	48"	FM 3848	18.74	\$306
	60"	FM 3860	20.72	\$364
46"	24"	FM 4624	15.61	\$233
	30"	FM 4630	17.53	\$251
	36"	FM 4636	19.45	\$268
	42"	FM 4642	21.36	\$283
	48"	FM 4648	23.28	\$310
	60"	FM 4660	27.12	\$368
54"	24"	FM 5424	17.2	\$239
	30"	FM 5430	19.11	\$257
	36"	FM 5436	21.03	\$274
	42"	FM 5442	22.95	\$287
	48"	FM 5448	24.88	\$314
	60"	FM 5460	28.7	\$374
61"	24"	FM 6124	19.40	\$254
	30"	FM 6130	21.32	\$271
	36"	FM 6136	23.24	\$287
	42"	FM 6142	25.16	\$301
	48"	FM 6148	27.07	\$330
	60"	FM 6160	30.91	\$394
69"	24"	FM 6924	19.95	\$257
	30"	FM 6930	21.87	\$274
	36"	FM 6936	23.79	\$291
	42"	FM 6942	25.71	\$304
	48"	FM 6948	27.62	\$336
	60"	FM 6960	31.46	\$400
85"	24"	FM 8524	21.56	\$342
	30"	FM 8530	36.6	\$368
	36"	FM 8536	31.79	\$393
	42"	FM 8542	36.91	\$414
	48"	FM 8548	42.01	\$455
	60"	FM 8560	47.13	\$543

• Frames include:

- (1) Top Cap
- (2) Base plate covers with retaining clips and outlet covers
- (1) "C" Clip
- (2) "A" Clips for 38", 46" & 54"h. frames.
- (3) "A" Clips for 61", 69" & 85"h. frames.

**To Order, Specify**

- 1). Cat. Number
- 2). Top Cap Finish
- 3). Base Plate Finish

- A clips and C clip are used to connect frame to adjacent frame or connector post.
- Refer to Electrical section to specify power assemblies.

**SPECIFICATION DETAIL**

**Electrical Specifications:**

Refer to pages 54-58 of Trend Form Price List.

To power panel frames, specify:

- power entry
- single or double block raceway to power panel
- duplex receptacle; Single Block Raceway: 1 each for each side power is accessed; Double Block Raceway: 2 each for each side power is accessed.
- pass thru: Use a pass thru to connect two powered panels when a non powered panel is placed between them, and no outlets are required.

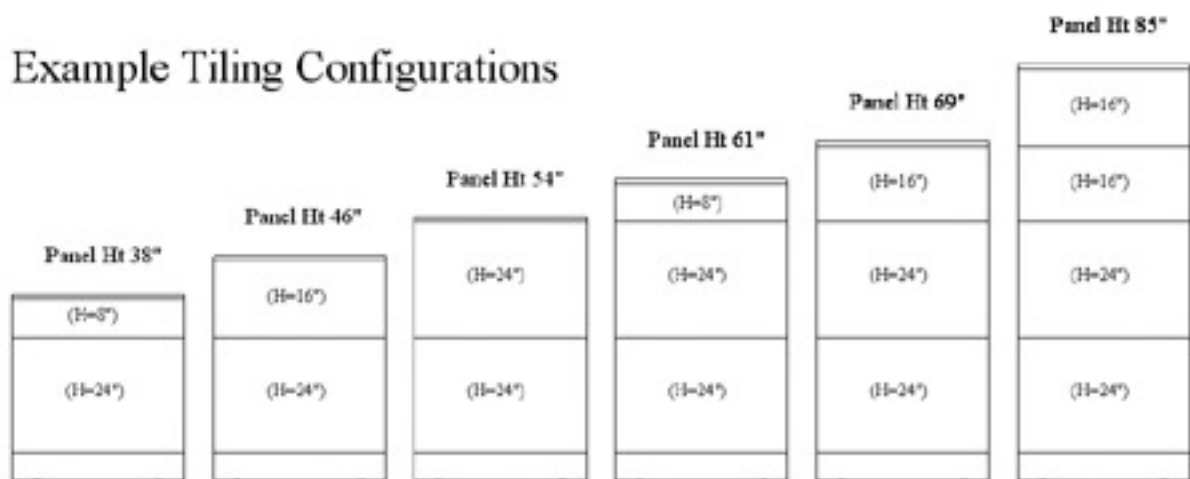
The Byrne 8-Trac Power System eliminates the need for power blocks, connecting cables, and panel to panel jumpers by combining these elements into one modular assembly. With 3 1/2" of adjustability, different length harnesses for 90 degree and "T" conditions are not required. Side, end and ceiling power feeds are available.

**Tile Specifications:**

Tiles are available in 8", 16" and 24" heights (8" increments). Special tile heights are available, minimum order quantity may apply. Contact CUSP customer service for custom tile quotes.

Specify tiles for a:

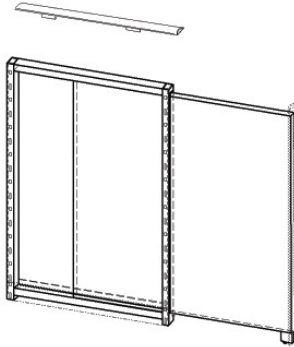
- |                    |                                |
|--------------------|--------------------------------|
| 38"ht. Panel Frame | Combination of 32" tile height |
| 46"ht. Panel Frame | Combination of 40" tile height |
| 54"ht. Panel Frame | Combination of 48" tile height |
| 61"ht. Panel Frame | Combination of 56" tile height |
| 69"ht. Panel Frame | Combination of 64" tile height |
| 85"ht. Panel Frame | Combination of 80" tile height |





# DOOR ASSEMBLIES

## Panel Frame with Pocket Door

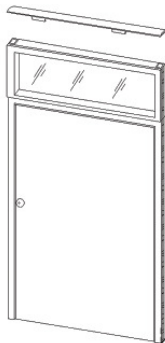


Height	Width	Item Number	List
61"	36"	FMP 6136	\$1,497
61"	42"	FMP 6142	\$1,528
61"	48"	FMP 6148	\$1,538
61"	60"	FMP 6160	\$1,588
69"	36"	FMP 6936	\$1,507
69"	42"	FMP 6942	\$1,517
69"	48"	FMP 6948	\$1,548
69"	60"	FMP 6960	\$1,607

**NOTE:** Panel frame with pocket door include top cap, baseplates, finished end, non locking caster on post leg, C clip and A clips.

- A clips and C clip are used to connect frame to adjacent frame or connector post
  - Pocket door shipped pre assembled
  - Pocket door screen is non load-bearing.
- To Order, Specify**
- 1). Cat. Number
  - 2). Screen Finish
  - 3). End Cap Finish
  - 4). Top Cap Finish

## Full Door Assembly



Formica Door		Cat. Number	List
Height	Width		
85"	36"	TFDUF 600	\$2442
Formica Door w/ Glass Insert		Cat. Number	List
Height	Width		
85"	36"	TFDUFGI 600	\$2,519
Wood Door		Cat. Number	List
Height	Width		
85"	36"	TFDUW 600	\$3,510

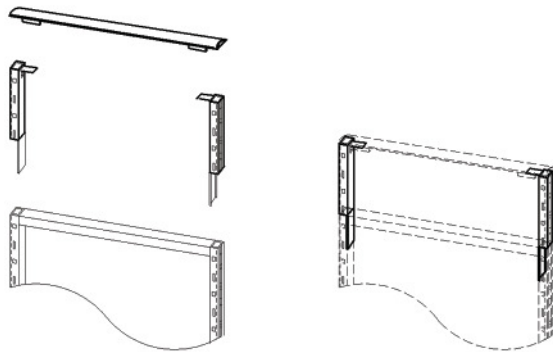
**NOTE:** Door Units include (2) GTT 0836, (2) vertical door jams, formica or wood door, locking door handle and hardware.

- A clips and C clip are used to connect frame to adjacent frame or connector post
- To Order, Specify**
- 1). Cat. Number
  - 2). Door Finish
  - 3). Trim Color

# PANEL FRAME ACCESSORIES

*Shaded Items in Price List Available In  
Limited Stocking Program*

## Bayonet Stack On Assembly



Height	Cat. Number	List
8"	BSA-08	\$ 77
16"	BSA-16	\$101
24"	BSA-24	\$126
32"	BSA-32	\$163

- Includes (2) two vertical bayonet frame posts, (2) two top cap retainer brackets.
- Utilizes top cap from base panel frame.
- Tiles must be ordered separately.

# PANEL FRAME ACCESSORIES

Shaded Items in Price List Available In  
Limited Stocking Program

## Line of Sight Barrier

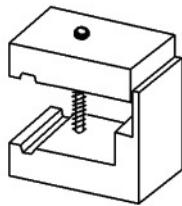


Length	Cat. Number	List
1'ft. (linear ft.)	TF SLB	\$7

- Black rubberized panel frame seam filler
- Specify length in linear feet required
- Must be field installed

**To Order, Specify**  
1). Cat. Number  
2). Linear Feet

## Panel Frame Connector, C Clip and A Clip



### C Clip

Cat. Number	Wt./Ctn.	List
TF CC		\$7



### A Clip

Cat. Number	Wt./Ctn.	List
TF AC		\$3

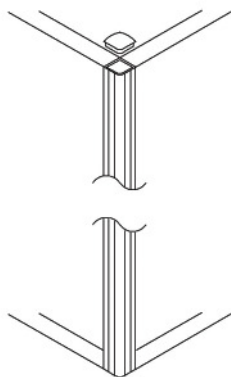
- Hardened Steel with standard Black Finish
- C Clip includes actuator bolt and Upper and Lower clamp blocks.
- A Clip includes panel frame spring lock

**To Order, Specify**  
1). Cat. Number

# CONNECTORS

Shaded Items in Price List Available In  
Limited Stocking Program

## 2 Way 90° Connector Post

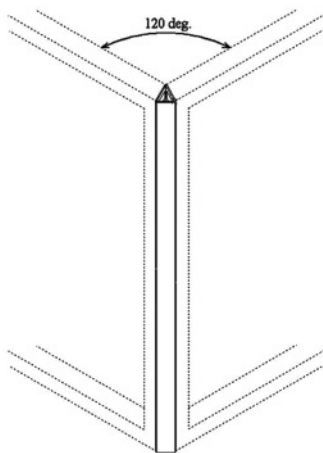


Height	Cat. Number	Wt./Ctn.	List
38"	C2 38	6.5	\$101
46"	C2 46	7.7	\$120
54"	C2 54	8.9	\$138
61"	C2 61	10.1	\$155
69"	C2 69	11.3	\$175
85"	C2 85	12.5	\$213

- Aluminum extrusion vertical connector post
- Specify to connect two adjacent panels in 90 deg. configuration
- Includes top cap, (2)"C" & (4)"A"clips. (69"ht & 85"ht. include (6) "A"clips).

**To Order, Specify**  
1). Cat. Number  
2). Color

## 2 Way 120° Connector Post



Height	Cat. Number	Wt./Ctn.	List
38"	C2-120D-38	6.5	\$287
46"	C2-120D-46	7.7	\$306
54"	C2-120D-54	8.9	\$326
61"	C2-120D-61	10.1	\$358
69"	C2-120D-69	11.3	\$422
85"	C2-120D-85	12.5	\$446

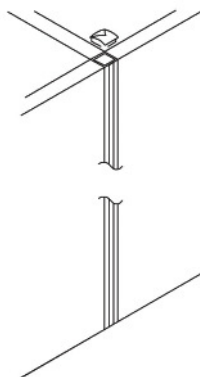
- Aluminum extrusion vertical connector post
- Specify to connect two adjacent panels in 120 deg. configuration
- Includes top cap, (2)"C" & (4)"A"clips. (69"ht & 85"ht. include (6) "A"clips).

**To Order, Specify**  
1). Cat. Number  
2). Color

# CONNECTORS

Shaded Items in Price List Available In Limited Stocking Program

## 3 Way 90° Connector Post



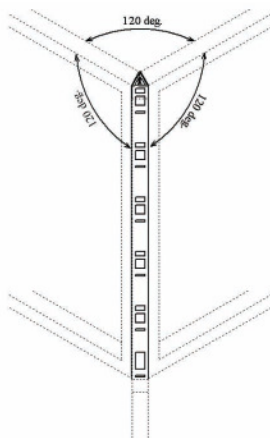
Height	Cat. Number	Wt./Ctn.	List
38"	C3 38	6.5	\$119
46"	C3 46	7.7	\$138
54"	C3 54	8.9	\$155
61"	C3 61	10.1	\$174
69"	C3 69	11.3	\$197
85"	C3 85	12.5	\$238

- Aluminum extrusion vertical connector post
- Specify to connect three adjacent panels in 90 deg. configuration
- Includes top cap, (3) "C" clips, & (6) "A" clips. (69"ht & 85"ht includes (9) "A" clips). Specify color if different from post.

**To Order, Specify**

- 1). Cat. Number
- 2). Post Color

## 3 Way 120° Connector Post



Height	Cat. Number	Wt./Ctn.	List
38"	C3-120D-38	6.5	\$383
46"	C3-120D-46	7.7	\$446
54"	C3-120D-54	8.9	\$486
61"	C3-120D-61	10.1	\$510
69"	C3-120D-69	11.3	\$613
85"	C3-120D-85	12.5	\$639

- Aluminum extrusion vertical connector post
- Specify to connect three adjacent panels in 120 deg. configuration
- Includes top cap, (3) "C" clips, & (6) "A" clips. (69"ht & 85"ht includes (9) "A" clips). Specify color if different from post.

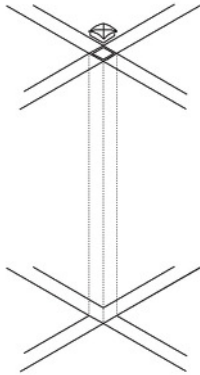
**To Order, Specify**

- 1). Cat. Number
- 2). Post Color

# CONNECTORS

*Shaded Items in Price List Available In  
Limited Stocking Program*

## 4 Way 90° Connector Post



Height	Cat. Number	Wt./Ctn.	List
38"	C4 38	6.5	\$92
46"	C4 46	7.7	\$106
54"	C4 54	8.9	\$118
61"	C4 61	10.1	\$130
69"	C4 69	11.3	\$148
85"	C4 85	12.5	\$178

- Aluminum extrusion vertical connector post
- Specify to connect four adjacent panels in 90 deg. configuration
- Includes top cap, (4) "C" clips & (8) "A" clips. (69"ht & 85"ht includes (12) "A" clips). Specify color if different from post.

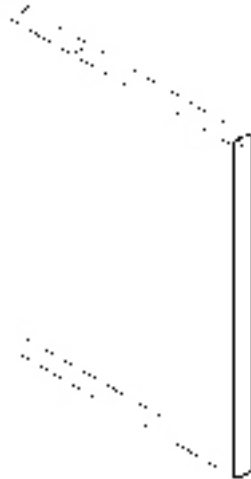
**To Order, Specify**

- 1). Cat. Number
- 2). Post Color

# CONNECTORS

Shaded Items in Price List Available In Limited Stocking Program

## Finished End of Run Cap



Height	Cat. Number	Wt./Ctn.	List
38"	FE 38	17.75	\$38
46"	FE 46	21.34	\$45
54"	FE 54	24.29	\$52
61"	FE 61	28.53	\$59
69"	FE 69	32.13	\$68
85"	FE 85	35.78	\$83

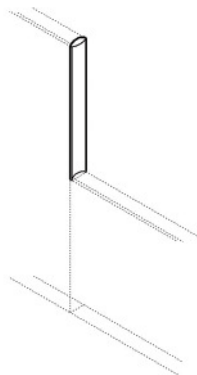
### Wood Finished End Cap

Height	Cat. Number	Wt./Ctn.	List
38"	WFE 38	17.75	\$303
46"	WFE 46	21.34	\$404
54"	WFE 54	24.29	\$486
61"	WFE 61	28.53	\$506
69"	WFE 69	32.13	\$607
85"	WFE 85	35.78	\$707

- Includes molded plastic top cap trim and steel mounting clips.
- Specify on end of panel run where no other panels are to be connected.

**To Order, Specify**  
 1) Cat. Number  
 2) Surface Color

## High Low Finished End Cap



Height	Cat. Number	Wt./Ctn.	List
8"	HLFE 8	4.1	\$36
16"	HLFE 16	7.7	\$42
24"	HLFE 24	11.3	\$48
32"	HLFE 32	13.2	\$54
40"	HLFE 40	13.2	\$59
48"	HLFE 48	13.2	\$70

### Wood Finished Hi/Lo End Cap

Height	Cat. Number	Wt./Ctn.	List
7"	WHLFE 7	4.1	\$ 61
15"	WHLFE 15	7.7	\$ 81
23"	WHLFE 23	11.3	\$101
31"	WHLFE 31	13.2	\$183

(Bottom Curved Finish)

BCF HiLo	0.2	\$3
----------	-----	-----

- Includes molded plastic top cap trim, bottom curved rubber trim and steel mounting clips.
- Specify to finish exposed frame on configurations of unequal height.

**To Order, Specify**  
 1) Cat. Number  
 2) Surface Color

# CONNECTORS

## Stack-On Connector



### 2-Way Stack On Connector

Height	Cat. Number	Type	List
8"	C2 BSA 8	2-Way 90 deg	\$ 99
16"	C2 BSA 16	2-Way 90 deg	\$119
24"	C2 BSA 24	2-Way 90 deg	\$138
32"	C2 BSA 32	2-Way 90 deg	\$159

### 3-Way Stack On Connector

Height	Cat. Number	Type	List
8"	C3 BSA 8	3-Way 90 deg	\$110
16"	C3 BSA 16	3-Way 90 deg	\$130
24"	C3 BSA 24	3-Way 90 deg	\$152
32"	C3 BSA 32	3-Way 90 deg	\$175

### 4-Way Stack On Connector

Height	Cat. Number	Type	List
8"	C4 BSA 8	4-Way 90 deg	\$139
16"	C4 BSA 16	4-Way 90 deg	\$161
24"	C4 BSA 24	4-Way 90 deg	\$180
32"	C4 BSA 32	4-Way 90 deg	\$206

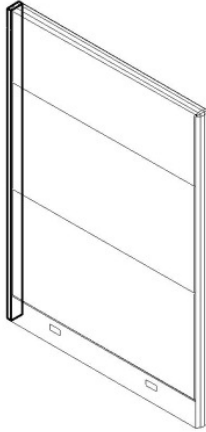
- Aluminum extrusion vertical connector post extension
- Specify to extend the height of existing connector.

**To Order, Specify**  
 1) Cat. Number  
 2) Color



# CONNECTORS

## Wall Starter (wall mounting kit)



Cat. Number	Type	List
TF-WS38	Wall Starter, 38"H	\$ 157
TF-WS46	Wall Starter, 46"H	\$ 164
TF-WS54	Wall Starter, 54"H	\$ 171
TF-WS61	Wall Starter, 61"H	\$ 178
TF-WS69	Wall Starter, 69"H	\$ 187
TF-WS85	Wall Starter, 85"H	\$ 201

**NOTE:**

Wall starter hardware to attach wall starter to wall is not included. Hardware and screws to attach wall starter is determined by the type of fixed wall the wall starter is attaching to.

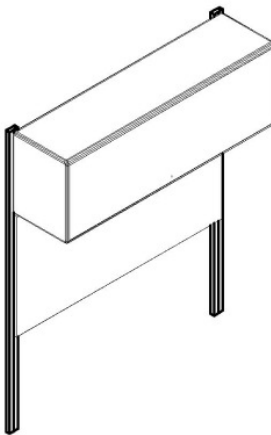
*Specify when mounting a frame to a fixed wall.*

- Wall starter adds 1" inch to panel runs. Wall starter hardware to attach wall starter to wall is not included.
- Hardware and screws to attach wall starter is determined by the type of fixed wall the wall starter is attaching to.

**To Order, Specify**

- 1) Cat. Number
- 2) Color

## Wall Tracks



Cat. Number	Type	List
TF-WT38	Wall Track, 38"H	\$ 135
TF-WT46	Wall Track, 46"H	\$ 142
TF-WT54	Wall Track, 54"H	\$ 148
TF-WT61	Wall Track, 61"H	\$ 154
TF-WT69	Wall Track, 69"H	\$ 161
TF-WT85	Wall Track, 85"H	\$ 174

**NOTE:**

Wall track hardware to attach wall starter to wall is not included. Hardware and screws to attach wall track is determined by the type of fixed wall the wall track is attaching to.

*Specify when mounting hanging components or tiles to a fixed wall.*

- Wall track is 1" inch depth. Vertical mounting slots are incremental at 1" centers. Wall tracks may not be shared between flipper door units, open shelves or tackboards and require two tracks to mount.

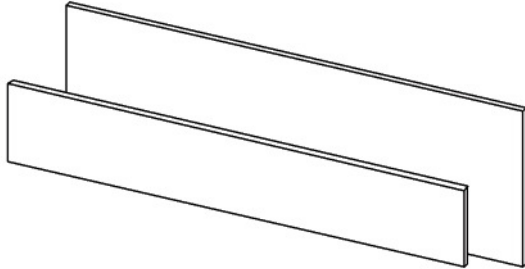
**To Order, Specify**

- 1) Cat. Number
- 2) Color

# TILES

Shaded Items in Price List Available In  
Limited Stocking Program

## Tackable Acoustic Tiles

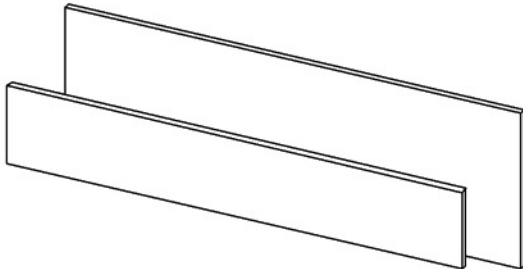


Height	Width	Cat. Number	Wt./Ctn.	List
8"	24"	TAT 0824	8.98	\$ 45
8"	30"	TAT 0830	10.98	\$ 49
8"	36"	TAT 0836	12.98	\$ 53
8"	42"	TAT 0842	14.98	\$ 56
8"	48"	TAT 0848	16.98	\$ 64
8"	60"	TAT 0860	20.98	\$ 76
16"	24"	TAT 1624	8.58	\$ 62
16"	30"	TAT 1630	10.58	\$ 69
16"	36"	TAT 1636	11.98	\$ 76
16"	42"	TAT 1642	13.98	\$ 82
16"	48"	TAT 1648	15.98	\$ 93
16"	60"	TAT 1660	19.98	\$110
24"	24"	TAT 2424	17.42	\$ 84
24"	30"	TAT 2430	21.60	\$ 93
24"	36"	TAT 2436	25.77	\$101
24"	42"	TAT 2442	30.02	\$108
24"	48"	TAT 2448	34.56	\$124
24"	60"	TAT 2460	38.60	\$147

- Includes upper retainer tabs and lower retainer hooks
- For more information see product detail section and installation guide.
- Custom heights available in 8" increments.

**To Order, Specify**  
1) Cat. Number  
2) Surface Fabric

## Fabric Covered Tiles



Height	Width	Cat. Number	Wt./Ctn.	List
8"	24"	MTF 0824	8.98	\$ 41
8"	30"	MTF 0830	10.98	\$ 46
8"	36"	MTF 0836	12.98	\$ 49
8"	42"	MTF 0842	14.98	\$ 53
8"	48"	MTF 0848	16.98	\$ 60
8"	60"	MTF 0860	20.98	\$ 71
16"	24"	MTF 1624	8.58	\$ 59
16"	30"	MTF 1630	10.58	\$ 64
16"	36"	MTF 1636	11.98	\$ 71
16"	42"	MTF 1642	13.98	\$ 76
16"	48"	MTF 1648	15.98	\$ 86
16"	60"	MTF 1660	19.98	\$102
24"	24"	MTF 2424	17.42	\$ 78
24"	30"	MTF 2430	21.60	\$ 86
24"	36"	MTF 2436	25.77	\$ 94
24"	42"	MTF 2442	30.02	\$102
24"	48"	MTF 2448	34.56	\$115
24"	60"	MTF 2460	38.60	\$137

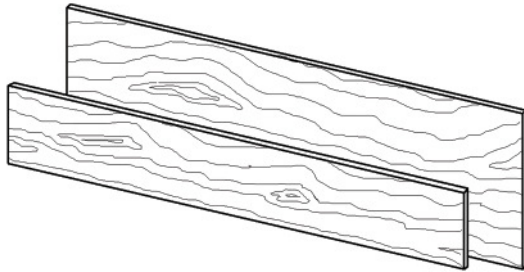
- Includes upper retainer tabs and lower retainer hooks
- Fabric over steel tile.
- Custom heights available in 8" increments.

**To Order, Specify**  
1). Cat. Number  
2). Surface fabric

# TILES

Shaded Items in Price List Available In  
Limited Stocking Program

## Woodgrain Tiles

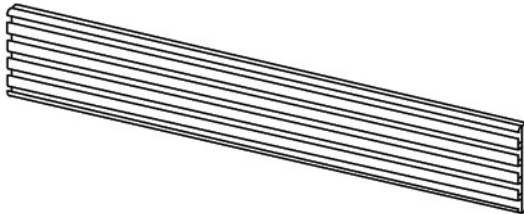


Height	Width	Cat. Number	Wt./Ctn.	List
8"	24"	WT 0824	8.98	\$110
8"	30"	WT 0830	10.98	\$117
8"	36"	WT 0836	12.98	\$124
8"	42"	WT 0842	14.98	\$132
8"	48"	WT 0848	16.98	\$139
8"	60"	WT 0860	20.98	\$172
16"	24"	WT 1624	8.58	\$149
16"	30"	WT 1630	10.58	\$159
16"	36"	WT 1636	11.98	\$168
16"	42"	WT 1642	13.98	\$178
16"	48"	WT 1648	15.98	\$187
16"	60"	WT 1660	19.98	\$240
24"	24"	WT 2424	17.42	\$187
24"	30"	WT 2430	21.60	\$200
24"	36"	WT 2436	25.77	\$211
24"	42"	WT 2442	30.02	\$224
24"	48"	WT 2448	34.56	\$247
24"	60"	WT 2460	38.60	\$384

- Includes special upper retainer tabs and lower retainer hooks.
- Custom heights available in 8" increments.

**To Order, Specify**  
1) Cat. Number  
2) Surface Finish

## Accessory Hanging Tile



Height	Width	Cat. Number	Wt./Ctn.	List
8"	24"	AHT 0824	8.98	\$ 93
8"	30"	AHT 0830	10.98	\$100
8"	36"	AHT 0836	12.98	\$107
8"	42"	AHT 0842	14.98	\$115
8"	48"	AHT 0848	16.98	\$125
8"	60"	AHT 0860	20.98	\$160

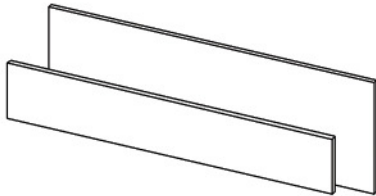
- Includes upper locking tabs and lower retainer hooks.
- Painted aluminum surface.

**To Order, Specify**  
1) Cat. Number

# TILES

Shaded Items in Price List Available In Limited Stocking Program

## Painted Steel Tiles

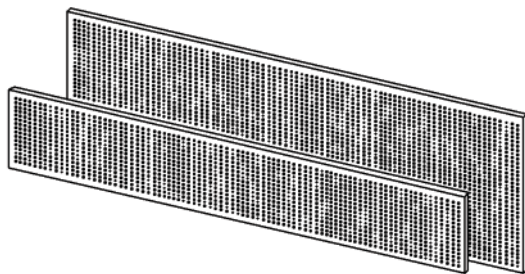


Height	Width	Cat. Number	Wt./Ctn.	List
8"	24"	MT 0824	8.98	\$ 38
8"	30"	MT 0830	10.98	\$ 41
8"	36"	MT 0836	12.98	\$ 46
8"	42"	MT 0842	14.98	\$ 48
8"	48"	MT 0848	16.98	\$ 55
8"	60"	MT 0860	20.98	\$ 67
16"	24"	MT 1624	8.58	\$ 54
16"	30"	MT 1630	10.58	\$ 61
16"	36"	MT 1636	11.98	\$ 67
16"	42"	MT 1642	13.98	\$ 71
16"	48"	MT 1648	15.98	\$ 83
16"	60"	MT 1660	19.98	\$ 99
24"	24"	MT 2424	17.42	\$ 74
24"	30"	MT 2430	21.60	\$ 83
24"	36"	MT 2436	25.77	\$ 90
24"	42"	MT 2442	30.02	\$ 97
24"	48"	MT 2448	34.56	\$110
24"	60"	MT 2460	38.60	\$132

- Includes upper retainer tabs and lower retainer hooks
- Monochrome painted steel tile.
- Custom heights available in 8" increments.

**To Order, Specify**  
 1). Cat. Number  
 2). Surface Color

## Perforated Air Flow Tiles



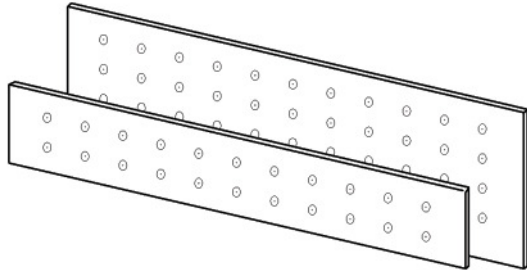
Height	Width	Cat. Number	Wt./Ctn.	List
8"	24"	AFT 0824	8.98	\$ 40
8"	30"	AFT 0830	10.98	\$ 44
8"	36"	AFT 0836	12.98	\$ 48
8"	42"	AFT 0842	14.98	\$ 51
8"	48"	AFT 0848	16.98	\$ 59
8"	60"	AFT 0860	20.98	\$ 72
16"	24"	AFT 1624	8.58	\$ 57
16"	30"	AFT 1630	10.58	\$ 63
16"	36"	AFT 1636	11.98	\$ 69
16"	42"	AFT 1642	13.98	\$ 75
16"	48"	AFT 1648	15.98	\$ 86
16"	60"	AFT 1660	19.98	\$108
24"	24"	AFT 2424	17.42	\$ 78
24"	30"	AFT 2430	21.60	\$ 86
24"	36"	AFT 2436	25.77	\$ 93
24"	42"	AFT 2442	30.02	\$100
24"	48"	AFT 2448	34.56	\$115
24"	60"	AFT 2460	38.60	\$145

- Includes upper retainer tabs and lower retainer hooks
- Monochrome painted steel tile.
- Custom heights available in 8" increments.

**To Order, Specify**  
 1). Cat. Number  
 2). Surface Color

# TILES

## Embossed Metal Tile Circles

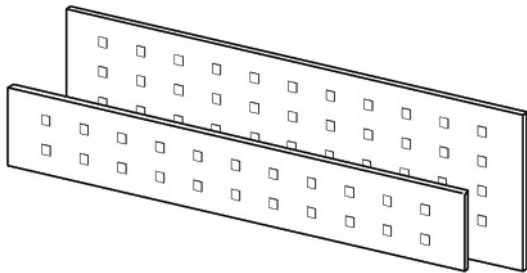


Height	Width	Cat. Number	Wt./Ctn.	List
8"	24"	EMTC 0824	8.98	\$ 40
8"	30"	EMTC 0830	10.98	\$ 44
8"	36"	EMTC 0836	12.98	\$ 48
8"	42"	EMTC 0842	14.98	\$ 51
8"	48"	EMTC 0848	16.98	\$ 59
8"	60"	EMTC 0860	20.98	\$ 72
16"	24"	EMTC 1624	8.58	\$ 57
16"	30"	EMTC 1630	10.58	\$ 63
16"	36"	EMTC 1636	11.98	\$ 69
16"	42"	EMTC 1642	13.98	\$ 75
16"	48"	EMTC 1648	15.98	\$ 86
16"	60"	EMTC 1660	19.98	\$108
24"	24"	EMTC 2424	17.42	\$ 78
24"	30"	EMTC 2430	21.60	\$ 86
24"	36"	EMTC 2436	25.77	\$ 93
24"	42"	EMTC 2442	30.02	\$100
24"	48"	EMTC 2448	34.56	\$115
24"	60"	EMTC 2460	38.60	\$145

- Includes upper retainer tabs and lower retainer hooks
- Monochrome painted steel tile.
- Custom heights available in 8" increments.

**To Order, Specify**  
 1). Cat. Number  
 2). Surface Color

## Embossed Metal Tile Squares



Height	Width	Cat. Number	Wt./Ctn.	List
8"	24"	EMTS 0824	8.98	\$ 40
8"	30"	EMTS 0830	10.98	\$ 44
8"	36"	EMTS 0836	12.98	\$ 48
8"	42"	EMTS 0842	14.98	\$ 51
8"	48"	EMTS 0848	16.98	\$ 59
8"	60"	EMTS 0860	20.98	\$ 72
16"	24"	EMTS 1624	8.58	\$ 57
16"	30"	EMTS 1630	10.58	\$ 63
16"	36"	EMTS 1636	11.98	\$ 69
16"	42"	EMTS 1642	13.98	\$ 75
16"	48"	EMTS 1648	15.98	\$ 86
16"	60"	EMTS 1660	19.98	\$108
24"	24"	EMTS 2424	17.42	\$ 78
24"	30"	EMTS 2430	21.60	\$ 86
24"	36"	EMTS 2436	25.77	\$ 93
24"	42"	EMTS 2442	30.02	\$100
24"	48"	EMTS 2448	34.56	\$115
24"	60"	EMTS 2460	38.60	\$145

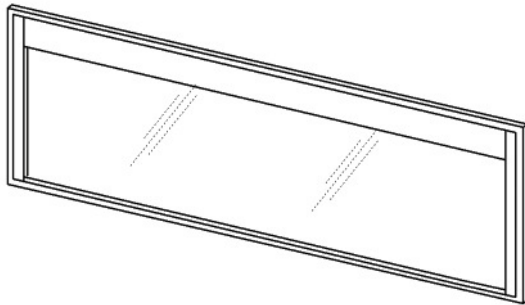
- Includes upper retainer tabs and lower retainer hooks
- Monochrome painted steel tile.
- Custom heights available in 8" increments.

**To Order, Specify**  
 1). Cat. Number  
 2). Surface Color

# TILES

Shaded Items in Price List Available In  
Limited Stocking Program

## Tempered Glass Tiles (Top of Frame)



Height	Width	Cat. Number	Wt./Ctn.	List
8"	24"	GTT 0824	8.98	\$101
8"	30"	GTT 0830	10.98	\$108
8"	36"	GTT 0836	12.98	\$116
8"	42"	GTT 0842	14.98	\$123
8"	48"	GTT 0848	16.98	\$137
8"	60"	GTT 0860	20.98	\$174
16"	24"	GTT 1624	8.58	\$113
16"	30"	GTT 1630	10.58	\$121
16"	36"	GTT 1636	11.98	\$129
16"	42"	GTT 1642	13.98	\$137
16"	48"	GTT 1648	15.98	\$152
16"	60"	GTT 1660	19.98	\$193
24"	24"	GTT 2424	17.42	\$171
24"	30"	GTT 2430	21.60	\$183
24"	36"	GTT 2436	25.77	\$195
24"	42"	GTT 2442	30.02	\$208
24"	48"	GTT 2448	34.56	\$230
24"	60"	GTT 2460	38.60	\$293

**NOTE:**

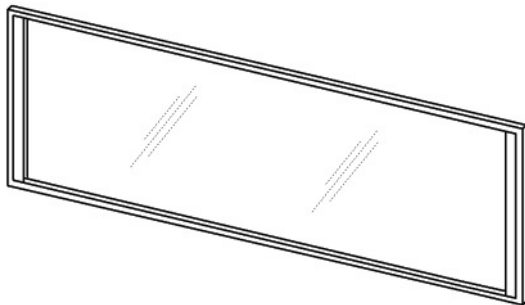
Glass tile must be paired front and back for glass tile application. Back and front tiles must be ordered separately.

- Includes upper retainer tabs and lower retainer hooks
- Monochrome painted aluminum tile frame.
- Custom heights available in 8" increments.

**To Order, Specify**

- 1). Cat. Number
- 2). Frame color

## Tempered Glass Tiles(Mid/Bottom of Frame)



Height	Width	Cat. Number	Wt./Ctn.	List
8"	24"	GTM 0824	8.98	\$101
8"	30"	GTM 0830	10.98	\$108
8"	36"	GTM 0836	12.98	\$116
8"	42"	GTM 0842	14.98	\$123
8"	48"	GTM 0848	16.98	\$137
8"	60"	GTM 0860	20.98	\$174
16"	24"	GTM 1624	8.58	\$113
16"	30"	GTM 1630	10.58	\$121
16"	36"	GTM 1636	11.98	\$129
16"	42"	GTM 1642	13.98	\$137
16"	48"	GTM 1648	15.98	\$152
16"	60"	GTM 1660	19.98	\$193
24"	24"	GTM 2424	17.42	\$171
24"	30"	GTM 2430	21.60	\$183
24"	36"	GTM 2436	25.77	\$195
24"	42"	GTM 2442	30.02	\$208
24"	48"	GTM 2448	34.56	\$230
24"	60"	GTM 2460	38.60	\$293

**NOTE:**

Glass tile must be paired front and back for glass tile application. Back and front tiles must be ordered separately.

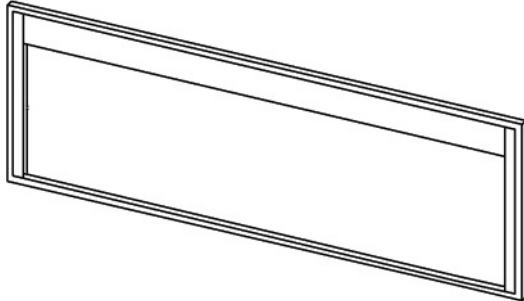
- Includes upper retainer tabs and lower retainer hooks
- Monochrome painted aluminum tile frame.
- Custom heights available in 8" increments.

**To Order, Specify**

- 1). Cat. Number
- 2). Frame color

# TILES

**Frosted Etched Tempered Glass Tiles  
(Top of Frame)**



Height	Width	Cat. Number	Wt./Ctn.	List
8"	24"	GTET 0824	8.98	\$115
8"	30"	GTET 0830	10.98	\$122
8"	36"	GTET 0836	12.98	\$131
8"	42"	GTET 0842	14.98	\$139
8"	48"	GTET 0848	16.98	\$154
8"	60"	GTET 0860	20.98	\$195
16"	24"	GTET 1624	8.58	\$128
16"	30"	GTET 1630	10.58	\$136
16"	36"	GTET 1636	11.98	\$145
16"	42"	GTET 1642	13.98	\$154
16"	48"	GTET 1648	15.98	\$170
16"	60"	GTET 1660	19.98	\$217
24"	24"	GTET 2424	17.42	\$193
24"	30"	GTET 2430	21.60	\$207
24"	36"	GTET 2436	25.77	\$221
24"	42"	GTET 2442	30.02	\$234
24"	48"	GTET 2448	34.56	\$260
24"	60"	GTET 2460	38.60	\$331

**NOTE:**

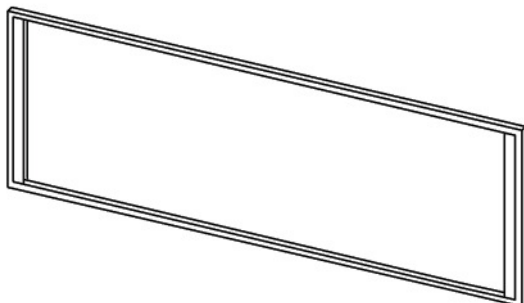
Glass tile must be paired front and back for glass tile application. Back and front tiles must be ordered separately.

- Includes upper retainer tabs and lower retainer hooks
- Monochrome painted aluminum tile frame.
- Custom heights available in 8" increments.

**To Order, Specify**

- 1). Cat. Number
- 2). Frame color

**Frosted Etched Tempered Glass  
(Mid/Bottom of Frame)**



Height	Width	Cat. Number	Wt./Ctn.	List
8"	24"	GTEM 0824	8.98	\$115
8"	30"	GTEM 0830	10.98	\$122
8"	36"	GTEM 0836	12.98	\$131
8"	42"	GTEM 0842	14.98	\$139
8"	48"	GTEM 0848	16.98	\$154
8"	60"	GTEM 0860	20.98	\$195
16"	24"	GTEM 1624	8.58	\$128
16"	30"	GTEM 1630	10.58	\$136
16"	36"	GTEM 1636	11.98	\$145
16"	42"	GTEM 1642	13.98	\$154
16"	48"	GTEM 1648	15.98	\$170
16"	60"	GTEM 1660	19.98	\$217
24"	24"	GTEM 2424	17.42	\$193
24"	30"	GTEM 2430	21.60	\$207
24"	36"	GTEM 2436	25.77	\$221
24"	42"	GTEM 2442	30.02	\$234
24"	48"	GTEM 2448	34.56	\$260
24"	60"	GTEM 2460	38.60	\$331

**NOTE:**

Glass tile must be paired front and back for glass tile application. Back and front tiles must be ordered separately.

- Includes upper retainer tabs and lower retainer hooks
- Monochrome painted aluminum tile frame.
- Custom heights available in 8" increments.

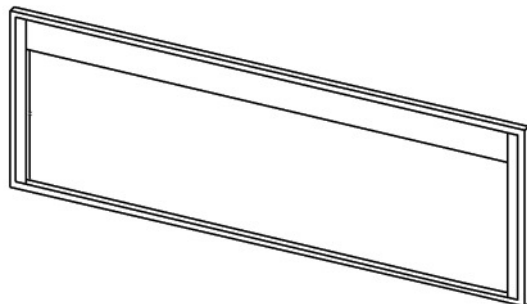
**To Order, Specify**

- 1). Cat. Number
- 2). Frame color

**TILES**

Shaded Items in Price List Available In Limited Stocking Program

Open Frame Tile Top Position



Height	Width	Cat. Number	List
8"	24"	OFTT 0824	\$ 74
8"	30"	OFTT 0830	\$ 78
8"	36"	OFTT 0836	\$ 84
8"	42"	OFTT 0842	\$ 89
8"	48"	OFTT 0848	\$ 99
8"	60"	OFTT 0860	\$125
16"	24"	OFTT 1624	\$ 82
16"	30"	OFTT 1630	\$ 87
16"	36"	OFTT 1636	\$100
16"	42"	OFTT 1642	\$107
16"	48"	OFTT 1648	\$115
16"	60"	OFTT 1660	\$139
24"	24"	OFTT 2424	\$123
24"	30"	OFTT 2430	\$132
24"	36"	OFTT 2436	\$141
24"	42"	OFTT 2442	\$151
24"	48"	OFTT 2448	\$167
24"	60"	OFTT 2460	\$211

**NOTE:**

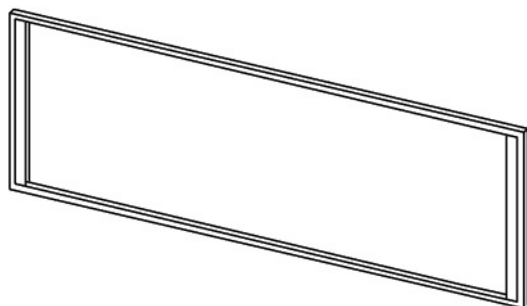
Open frame tile must be paired front and back for open tile application. Back and front tiles must be ordered separately.

- Includes upper retainer tabs and lower retainer hooks
- Monochrome painted aluminum tile frame.
- Custom heights available in 8" increments. Call factory for details

**To Order, Specify**

- 1). Cat. Number
- 2). Color

Open Frame Tile Mid/Bottom Position



Height	Width	Cat. Number	List
8"	24"	OFTM 0824	\$ 74
8"	30"	OFTM 0830	\$ 78
8"	36"	OFTM 0836	\$ 84
8"	42"	OFTM 0842	\$ 89
8"	48"	OFTM 0848	\$ 99
8"	60"	OFTM 0860	\$125
16"	24"	OFTM 1624	\$ 82
16"	30"	OFTM 1630	\$ 87
16"	36"	OFTM 1636	\$100
16"	42"	OFTM 1642	\$107
16"	48"	OFTM 1648	\$115
16"	60"	OFTM 1660	\$139
24"	24"	OFTM 2424	\$123
24"	30"	OFTM 2430	\$132
24"	36"	OFTM 2436	\$141
24"	42"	OFTM 2442	\$151
24"	48"	OFTM 2448	\$167
24"	60"	OFTM 2460	\$211

**NOTE:**

Open frame tile must be paired front and back for open tile application. Back and front tiles must be ordered separately.

- Includes upper retainer tabs and lower retainer hooks
- Monochrome painted steel aluminum frame.
- Custom heights available in 8" increments.

**To Order, Specify**

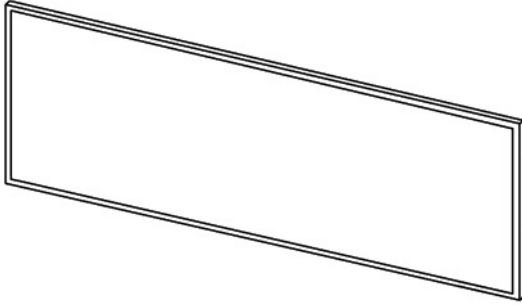
- 1). Cat. Number
- 2). Color



# TILES

Shaded Items in Price List Available In  
Limited Stocking Program

## Marker Board Tile



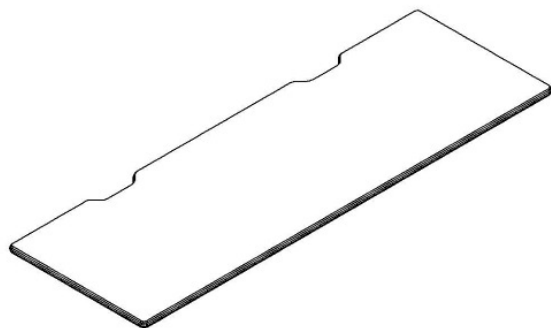
Height	Width	Cat. Number	Wt./Ctn	List
16"	24"	GWT 1624	8.58	\$147
16"	30"	GWT 1630	10.58	\$156
16"	36"	GWT 1636	11.98	\$170
16"	42"	GWT 1642	13.98	\$184
16"	48"	GWT 1648	15.98	\$197
16"	60"	GWT 1660	19.98	\$251
24"	24"	GWT 2424	17.42	\$223
24"	30"	GWT 2430	21.60	\$238
24"	36"	GWT 2436	25.77	\$257
24"	42"	GWT 2442	30.02	\$279
24"	48"	GWT 2448	34.56	\$299
24"	60"	GWT 2460	38.60	\$382
32"	24"	GWT 3224	17.42	\$297
32"	30"	GWT 3230	21.60	\$338
32"	36"	GWT 3236	25.77	\$380
32"	42"	GWT 3242	30.02	\$397
32"	48"	GWT 3248	34.56	\$463
32"	60"	GWT 3260	38.60	\$546

- Includes upper retainer tabs and lower retainer hooks
- Painted aluminum frame surface.
- Whiteboard glass tile surface.
- Order dry erase accessories separately.
- Custom heights available in 8" increments.

**To Order, Specify**  
1). Cat. Number  
2). Trim Color

# WORKSURFACES

Rectangular Worksurface  
Laminate/Vinyl Edge



Width	Depth	Cat. Number	List
24"	24"	WS 2424	\$ 214
	30"	WS 2430	\$ 244
30"	24"	WS 3024	\$ 244
	30"	WS 3030	\$ 259
36"	24"	WS 3624	\$ 259
	30"	WS 3630	\$ 275
42"	24"	WS 4224	\$ 275
	30"	WS 4230	\$ 336
48"	24"	WS 4824	\$ 305
	30"	WS 4830	\$ 366
54"	24"	WS 5424	\$ 366
	30"	WS 5430	\$ 458
60"	24"	WS 6024	\$ 397
	30"	WS 6030	\$ 473
66"	24"	WS 6624	\$ 427
	30"	WS 6630	\$ 488
72"	24"	WS 7224	\$ 443
	30"	WS 7230	\$ 504
78"	24"	WS 7824	\$ 458
	30"	WS 7830	\$ 519
84"	24"	WS 8424	\$ 474
	30"	WS 8430	\$ 535

**NOTE:**

Worksurface support brackets, end panels, or side mounting kit must be ordered separately.

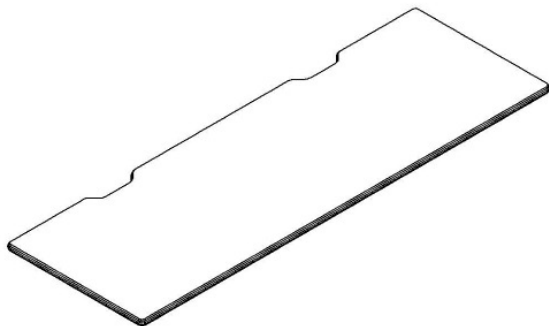
- 3mm T mold with 3/4" radius.
- Number of access notches vary by worksurface widths:  
 One notch = 30"w, 36"w  
 Two notches = 48"w., 54w., 60"w, 66w., 72"w.
- No access notch on 24" width worksurfaces
- Suspended pedestal, fixed pedestal, and/or lateral files of equivalent worksurface depth may block notch openings.

**To Order, Specify**

- 1) Cat. Number
- 2) Laminate Color/Number
- 3) Trim Color

# WORKSURFACES

## Extended Rectangular Worksurface Laminate/Vinyl Edge



Width	Depth	Cat. Number	List
27"	24"	WSE 2724	\$ 244
	30"	WSE 2730	\$ 259
33"	24"	WSE 3324	\$ 259
	30"	WSE 3330	\$ 275
39"	24"	WSE 3924	\$ 275
	30"	WSE 3930	\$ 336
45"	24"	WSE 4524	\$ 305
	30"	WSE 4530	\$ 366
51"	24"	WSE 5124	\$ 366
	30"	WSE 5130	\$ 458
63"	24"	WSE 6324	\$ 427
	30"	WSE 6330	\$ 488
69"	24"	WSE 6924	\$ 443
	30"	WSE 6930	\$ 504
75"	24"	WSE 7524	\$ 458
	30"	WSE 7530	\$ 519

**NOTE:**

Specify when spanning a connector post.

Worksurface support brackets, end panels, or side mounting kit must be ordered separately.

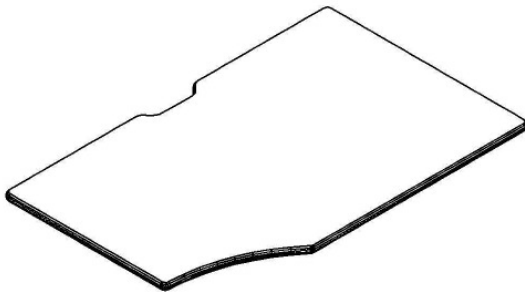
- 3mm T mold with 3/4" radius.
- Number of access notches vary by worksurface widths:
  - One notch = 30"w, 36"w
  - Two notches = 48"w, 60"w, 72"w
- No access notch on 24" width worksurfaces
- Suspended pedestal, fixed pedestal, and/or lateral files of equivalent worksurface depth may block notch openings.

**To Order, Specify**

- 1) Cat. Number
- 2) Laminate Color/Number
- 3) Trim Color

# WORKSURFACES

## Depth Transition Rectangular Worksurface Laminate/Vinyl Edge



Width	Left Depth	Right Depth	Cat. Number	List
36"w	24"d	30"d	WSDT-36R	\$ 275
	30"d	24"d	WSDT-36L	\$ 275
42"w	24"d	30"d	WSDT-42R	\$ 336
	30"d	24"d	WSDT-42L	\$ 336
48"w	24"d	30"d	WSDT-48R	\$ 366
	30"d	24"d	WSDT-48L	\$ 366
54"w	24"d	30"d	WSDT-54R	\$ 458
	30"d	24"d	WSDT-54L	\$ 458
60"w	24"d	30"d	WSDT-60R	\$ 488
	30"d	24"d	WSDT-60L	\$ 488
66"w	24"d	30"d	WSDT-66R	\$ 504
	30"d	24"d	WSDT-66L	\$ 504
72"w	24"d	30"d	WSDT-72R	\$ 519
	30"d	24"d	WSDT-72L	\$ 519

**NOTE:**

Worksurface support brackets, end panels, or side mounting kit must be ordered separately.

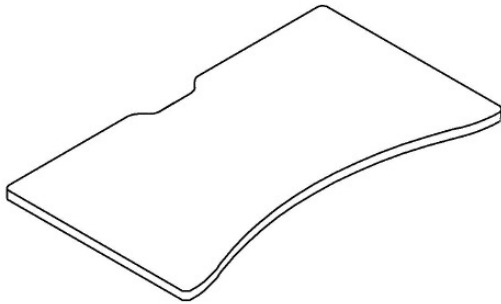
- 3mm T mold with 3/4" radius.
- Number of access notches vary by worksurface widths:  
 One notch = 30"w, 36"w  
 Two notches = 48"w, 60"w, 72"w
- No access notch on 24" width worksurfaces
- Suspended pedestal, fixed pedestal, and/or lateral files of equivalent worksurface depth may block notch openings.

**To Order, Specify**

- 1) Cat. Number
- 2) Laminate Color/Number
- 3) Trim Color

# WORKSURFACES

Rectangular, Inverted Front Worksurface  
Laminate/Vinyl Edge



Width	Depth	Cat. Number	List
36"	24"	WSI 3624	\$ 259
	30"	WSI 3630	\$ 275
42"	24"	WSI 4224	\$ 275
	30"	WSI 4230	\$ 336
48"	24"	WSI 4824	\$ 305
	30"	WSI 4830	\$ 366
54"	24"	WSI 5424	\$ 366
	30"	WSI 5430	\$ 458
60"	24"	WSI 6024	\$ 397
	30"	WSI 6030	\$ 473

**NOTE:**

Worksurface support brackets, end panels, or side mounting kit must be ordered separately.

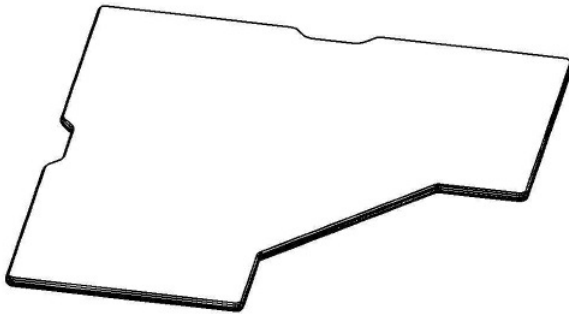
- 3mm T mold with 3/4" radius.
- Number of access notches vary by worksurface widths:  
 One notch = 36"w  
 Two notches = 48"w, 54"w, 60"w,

**To Order, Specify**

- 1) Cat. Number
- 2) Laminate Color/Number
- 3) Trim Color

# WORKSURFACES

Rectilinear Corner Worksurface  
Laminate/Vinyl Edge



Width	Depth	Cat. Number	List
36"	24"	WSC 3624	\$ 458
	30"	WSC 3630	\$ 473
42"	24"	WSC 4224	\$ 499
	30"	WSC 4230	\$ 514
48"	24"	WSC 4824	\$ 540
	30"	WSC4830	\$ 555
54"	24"	WSC 5424	\$ 580
	30"	WSC 5430	\$ 596
60"	24"	WSC 6024	\$ 621
	30"	WSC 6030	\$ 637

**NOTE:**

Worksurface support brackets, end panel, or side mounting kit must be ordered separately.

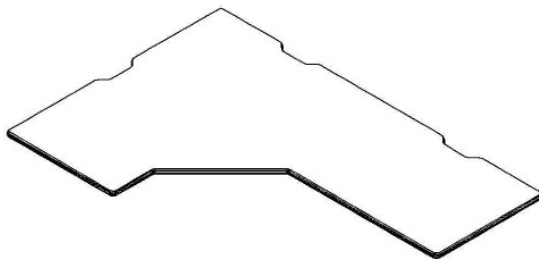
- 3mm T mold with 3/4"radius.
- See Worksurface Support section to specify appropriate support.
- See Storage & Accessories section to specify keyboard trays.

**To Order, Specify**

- 1) Cat. Number
- 2) Laminate Color/Number
- 3) Edge trim Color

# WORKSURFACES

## Rectilinear Extended Corner Worksurface 24" Deep, Laminate/Vinyl Edge



Depth (D)	Left Width (LW)	Right Width (RW)	Catalog Number	List
24"	36"	42"	WSEC-243642	\$ 499
	42"	36"	WSEC-244236	\$ 499
24"	36"	48"	WSEC-243648	\$ 540
	48"	36"	WSEC-244836	\$ 540
24"	36"	54"	WSEC-243654	\$ 580
	54"	36"	WSEC-245436	\$ 580
24"	36"	60"	WSEC-243660	\$ 621
	60"	36"	WSEC-246036	\$ 621
24"	36"	66"	WSEC-243666	\$ 662
	66"	36"	WSEC-246636	\$ 662
24"	36"	72"	WSEC-243672	\$ 703
	72"	36"	WSEC-247236	\$ 703
24"	42"	48"	WSEC-244248	\$ 580
	48"	42"	WSEC-244842	\$ 580
24"	42"	54"	WSEC-244254	\$ 621
	54"	42"	WSEC-245442	\$ 621
24"	42"	60"	WSEC-244260	\$ 662
	60"	42"	WSEC-246042	\$ 662
24"	42"	66"	WSEC-244266	\$ 703
	66"	42"	WSEC-246642	\$ 703
24"	42"	72"	WSEC-244272	\$ 744
	72"	42"	WSEC-247242	\$ 744
24"	48"	54"	WSEC-244854	\$ 662
	54"	48"	WSEC-245448	\$ 662
24"	48"	60"	WSEC-244860	\$ 703
	60"	48"	WSEC-246048	\$ 703
24"	48"	66"	WSEC-244866	\$ 744
	66"	48"	WSEC-246648	\$ 744
24"	48"	72"	WSEC-244872	\$ 785
	72"	48"	WSEC-247248	\$ 785

**NOTE:**

Worksurface support brackets, end panel, or side mounting kit must be ordered separately.

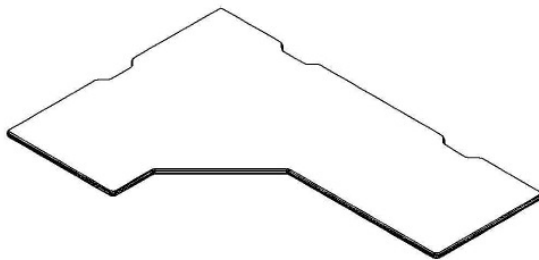
- 3mm T mold with 3/4"radius.
- See Worksurface Support section to specify appropriate support.
- See Storage & Accessories section to specify keyboard trays.
- Suspended pedestal, fixed pedestal, and/ or lateral files of equivalent work-surface depth may block notch openings.

**To Order, Specify**

- 1) Cat. Number
- 2) Laminate Color/Number
- 3) Edge trim Color

# WORKSURFACES

## Rectilinear Extended Corner Worksurface 30" Deep, Laminate/Vinyl Edge



Depth (D)	Left Width (LW)	Right Width (RW)	Catalog Number	List
30"	36"	42"	WSEC-303642	\$ 514
	42"	36"	WSEC-304236	\$ 514
30"	36"	48"	WSEC-303648	\$ 555
	48"	36"	WSEC-304836	\$ 555
30"	36"	54"	WSEC-303654	\$ 596
	54"	36"	WSEC-305436	\$ 596
30"	36"	60"	WSEC-303660	\$ 637
	60"	36"	WSEC-306036	\$ 637
30"	36"	66"	WSEC-303666	\$ 678
	66"	36"	WSEC-306636	\$ 678
30"	36"	72"	WSEC-303672	\$ 719
	72"	36"	WSEC-307236	\$ 719
30"	42"	48"	WSEC-304248	\$ 596
	48"	42"	WSEC-304842	\$ 596
30"	42"	54"	WSEC-304254	\$ 637
	54"	42"	WSEC-305442	\$ 637
30"	42"	60"	WSEC-304260	\$ 678
	60"	42"	WSEC-306042	\$ 678
30"	42"	66"	WSEC-304266	\$ 719
	66"	42"	WSEC-306642	\$ 719
30"	42"	72"	WSEC-304272	\$ 760
	72"	42"	WSEC-307242	\$ 760
30"	48"	54"	WSEC-304854	\$ 678
	54"	48"	WSEC-305448	\$ 678
30"	48"	60"	WSEC-304860	\$ 719
	60"	48"	WSEC-306048	\$ 719
30"	48"	66"	WSEC-304866	\$ 760
	66"	48"	WSEC-306648	\$ 760
30"	48"	72"	WSEC-304872	\$ 801
	72"	48"	WSEC-307248	\$ 801

**NOTE:**  
Worksurface support brackets, end panel, or side mounting kit must be ordered separately.

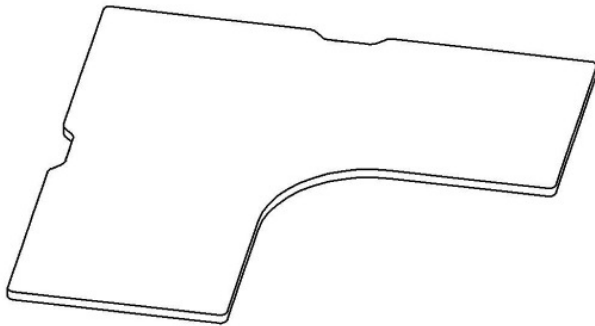
- 3mm T mold with 3/4"radius.
- See Worksurface Support section to specify appropriate support.
- See Storage & Accessories section to specify keyboard trays.
- Suspended pedestal, fixed pedestal, and/ or lateral files of equivalent work-surface depth may block notch openings.

**To Order, Specify**  
1) Cat. Number  
2) Laminate Color/Number  
3) Edge trim Color



# WORKSURFACES

Curvilinear Corner Worksurface  
Laminate/Vinyl Edge



Width	Depth	Cat. Number	List
36"	24"	WSCC 3624	\$ 458
	30"	WSCC 3630	\$ 473
42"	24"	WSCC 4224	\$ 499
	30"	WSCC 4230	\$ 514
48"	24"	WSCC 4824	\$ 540
	30"	WSCC 4830	\$ 555
54"	24"	WSCC 5424	\$ 580
	30"	WSCC 5430	\$ 596
60"	24"	WSCC 6024	\$ 621
	30"	WSCC 6030	\$ 637

**NOTE:**

Worksurface support brackets, end panel, or side mounting kit must be ordered separately.

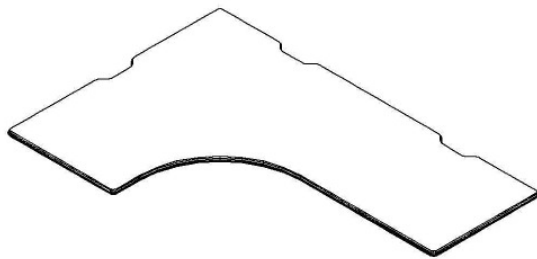
- 3mm T mold with 3/4"radius.
- See Worksurface Support section to specify appropriate support.
- See Storage & Accessories section to specify keyboard trays.

**To Order, Specify**

- 1) Cat. Number
- 2) Laminate Color/Number
- 3) Edge trim Color

# WORKSURFACES

## Curvilinear Extended Corner Worksurface 24" Deep, Laminate/Vinyl Edge



Depth (D)	Left Width (LW)	Right Width (RW)	Catalog Number	List
24"	36"	42"	WSECC-243642	\$ 499
	42"	36"	WSECC-244236	\$ 499
24"	36"	48"	WSECC-243648	\$ 540
	48"	36"	WSECC-244836	\$ 540
24"	36"	54"	WSECC-243654	\$ 580
	54"	36"	WSECC-245436	\$ 580
24"	36"	60"	WSECC-243660	\$ 621
	60"	36"	WSECC-246036	\$ 621
24"	36"	66"	WSECC-243666	\$ 662
	66"	36"	WSECC-246636	\$ 662
24"	36"	72"	WSECC-243672	\$ 703
	72"	36"	WSECC-247236	\$ 703
24"	42"	48"	WSECC-244248	\$ 580
	48"	42"	WSECC-244842	\$ 580
24"	42"	54"	WSECC-244254	\$ 621
	54"	42"	WSECC-245442	\$ 621
24"	42"	60"	WSECC-244260	\$ 662
	60"	42"	WSECC-246042	\$ 662
24"	42"	66"	WSECC-244266	\$ 703
	66"	42"	WSECC-246642	\$ 703
24"	42"	72"	WSECC-244272	\$ 744
	72"	42"	WSECC-247242	\$ 744
24"	48"	54"	WSECC-244854	\$ 662
	54"	48"	WSECC-245448	\$ 662
24"	48"	60"	WSECC-244860	\$ 703
	60"	48"	WSECC-246048	\$ 703
24"	48"	66"	WSECC-244866	\$ 744
	66"	48"	WSECC-246648	\$ 744
24"	48"	72"	WSECC-244872	\$ 785
	72"	48"	WSECC-247248	\$ 785

**NOTE:**

Worksurface support brackets, end panel, or side mounting kit must be ordered separately.

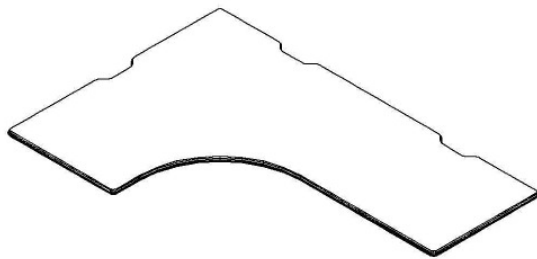
- 3mm T mold with 3/4"radius.
- See Worksurface Support section to specify appropriate support.
- See Storage & Accessories section to specify keyboard trays.
- Suspended pedestal, fixed pedestal, and/ or lateral files of equivalent worksurface depth may block notch openings.

**To Order, Specify**

- 1) Cat. Number
- 2) Laminate Color/Number
- 3) Edge trim Color

# WORKSURFACES

## Curvilinear Extended Corner Worksurface 30" Deep, Laminate/Vinyl Edge



Depth (D)	Left Width (LW)	Right Width (RW)	Catalog Number	List
30"	36"	42"	WSECC-303642	\$ 514
	42"	36"	WSECC-304236	\$ 514
30"	36"	48"	WSECC-303648	\$ 555
	48"	36"	WSECC-304836	\$ 555
30"	36"	54"	WSECC-303654	\$ 596
	54"	36"	WSECC-305436	\$ 596
30"	36"	60"	WSECC-303660	\$ 637
	60"	36"	WSECC-306036	\$ 637
30"	36"	66"	WSECC-303666	\$ 678
	66"	36"	WSECC-306636	\$ 678
30"	36"	72"	WSECC-303672	\$ 719
	72"	36"	WSECC-307236	\$ 719
30"	42"	48"	WSECC-304248	\$ 596
	48"	42"	WSECC-304842	\$ 596
30"	42"	54"	WSECC-304254	\$ 637
	54"	42"	WSECC-305442	\$ 637
30"	42"	60"	WSECC-304260	\$ 678
	60"	42"	WSECC-306042	\$ 678
30"	42"	66"	WSECC-304266	\$ 719
	66"	42"	WSECC-306642	\$ 719
30"	42"	72"	WSECC-304272	\$ 760
	72"	42"	WSECC-307242	\$ 760
30"	48"	54"	WSECC-304854	\$ 678
	54"	48"	WSECC-305448	\$ 678
30"	48"	60"	WSECC-304860	\$ 719
	60"	48"	WSECC-306048	\$ 719
30"	48"	66"	WSECC-304866	\$ 760
	66"	48"	WSECC-306648	\$ 760
30"	48"	72"	WSECC-304872	\$ 801
	72"	48"	WSECC-307248	\$ 801

**NOTE:**

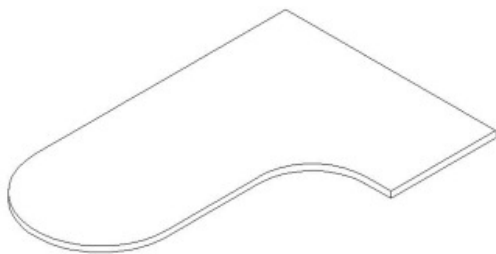
Worksurface support brackets, end panel, or side mounting kit must be ordered separately.

- 3mm T mold with 3/4"radius.
- See Worksurface Support section to specify appropriate support.
- See Storage & Accessories section to specify keyboard trays.
- Suspended pedestal, fixed pedestal, and/ or lateral files of equivalent worksurface depth may block notch openings.

- To Order, Specify**
- 1) Cat. Number
  - 2) Laminate Color/Number
  - 3) Edge trim Color

# WORKSURFACES

## D-top Curvilinear Corner Worksurface Laminate/Vinyl Edge



Depth (D)	Left Width (LW)	Right Width (RW)	Catalog Number	List
24"	42"	60"	WSECD-244260	\$ 662
	60"	42"	WSECD-246042	\$ 662
24"	42"	66"	WSECD-244266	\$ 703
	66"	42"	WSECD-246642	\$ 703
24"	42"	72"	WSECD-244272	\$ 744
	72"	42"	WSECD-247242	\$ 744
24"	48"	60"	WSECD-244860	\$ 703
	60"	48"	WSECD-246048	\$ 703
24"	48"	66"	WSECD-244866	\$ 744
	66"	48"	WSECD-246648	\$ 744
24"	48"	72"	WSECD-244872	\$ 785
	72"	48"	WSECD-247248	\$ 785
30"	42"	60"	WSECD-304260	\$ 678
	60"	42"	WSECD-306042	\$ 678
30"	42"	66"	WSECD-304266	\$ 719
	66"	42"	WSECD-306642	\$ 719
30"	42"	72"	WSECD-304272	\$ 760
	72"	42"	WSECD-307242	\$ 760
30"	48"	60"	WSECD-304860	\$ 719
	60"	48"	WSECD-306048	\$ 719
30"	48"	66"	WSECD-304866	\$ 760
	66"	48"	WSECD-306648	\$ 760
30"	48"	72"	WSECD-304872	\$ 801
	72"	48"	WSECD-307248	\$ 801

**NOTE:**

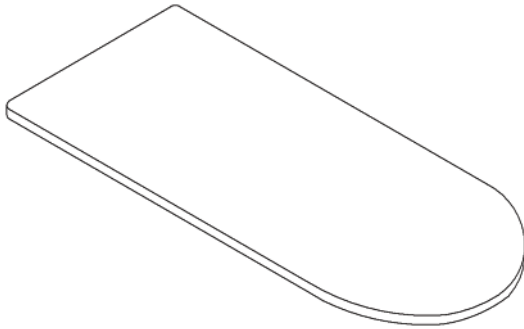
Worksurface support brackets, end panel, or side mounting kit must be ordered separately.

**To Order, Specify**

- 1) Cat. Number
- 2) Laminate Color/Number
- 3) Edge trim Color

# WORKSURFACES

## Peninsula D Shaped Worksurface Laminate/Vinyl Edge



Width	Depth	Cat. Number	List
60"	24"	WSP-D 6024	\$ 397
60"	30"	WSP-D 6030	\$ 473
60"	36"	WSP-D 6036	\$ 519
66"	24"	WSP-D 6624	\$ 427
66"	30"	WSP-D 6630	\$ 488
66"	36"	WSP-D 6636	\$ 535
72"	24"	WSP-D 7224	\$ 443
72"	30"	WSP-D 7230	\$ 504
72"	36"	WSP-D 7236	\$ 551

**NOTE:**

Worksurface support brackets, end panel, or side mounting kit must be ordered separately.

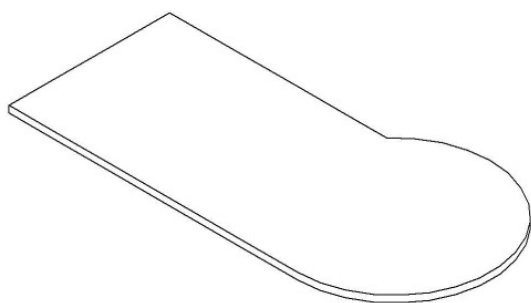
- 3mm T mold with 3/4"radius.
- Order Column Leg support and brackets separately.
- See Worksurface Support section to specify appropriate support.
- See Storage & Accessories section to specify keyboard trays.

**To Order, Specify**

- 1) Cat. Number
- 2) Laminate Color/Number
- 3) Edge trim Color

# WORKSURFACES

Peninsula P Shaped Worksurface  
Laminate/Vinyl Edge



Width	Depth	Cat. Number	List
60"	30"	WSP-P 6030R	\$ 580
		WSP-P 6030L	\$ 580
	36"	WSP-P 6036R	\$ 595
		WSP-P 6036L	\$ 595
66"	30"	WSP-P 6630R	\$ 611
		WSP-P 6630L	\$ 611
	36"	WSP-P 6636R	\$ 626
		WSP-P 6636L	\$ 626
72"	30"	WSP-P 7230R	\$ 641
		WSP-P 7230L	\$ 641
	36"	WSP-P 7236R	\$ 656
		WSP-P 7236L	\$ 656

**NOTE:**

Worksurface support brackets, end panel, or side mounting kit must be ordered separately.

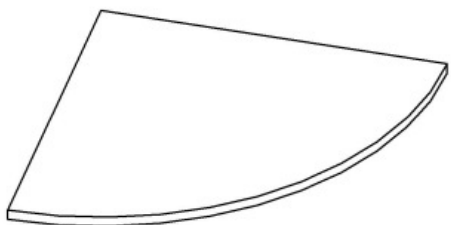
- 3mm T mold with 3/4"radius.
- Order Column Leg support and brackets separately.
- See Worksurface Support section to specify appropriate support.
- Conference end is 36" radius for 30" deep worksurface.
- Conference end is 42" radius for 36" deep worksurface.
- See Storage & Accessories section to specify keyboard trays.

**To Order, Specify**

- 1) Cat. Number
- 2) Right Handed or Left Handed
- 3) Laminate Color/Number
- 4) Edge trim Color

# WORKSURFACES

## Quarter Round Work Surface Laminate/Vinyl Edge



Width	Depth	Cat. Number	List
24"	24"	WSQR-24	\$ 260
30"	30"	WSQR-30	\$ 275

**NOTE:**

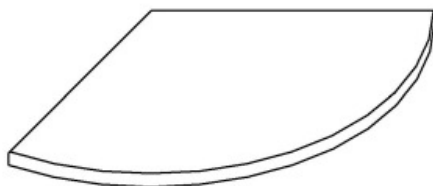
Worksurface support brackets or side mounting kit must be ordered separately.

- 3mm T mold with 3/4"radius.
- See Worksurface Support section to specify appropriate support.

**To Order, Specify**

- 1) Cat. Number
- 2) Laminate Color/Number
- 3) Edge trim Color

## 120 deg. Quarter Round Work Surface Laminate/Vinyl Edge



Width	Depth	Cat. Number	List
24"	24" (for use with 24" adjacent worksurface)	WSVQR-24	\$ 265
30"	30" (for use with 30" adjacent worksurface)	WSVQR-30	\$ 280

**NOTE:**

Worksurface support brackets or side mounting kit must be ordered separately.

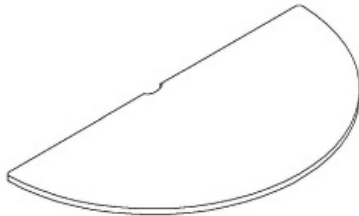
- 3mm T mold with 3/4"radius.
- See Worksurface Support section to specify appropriate support.

**To Order, Specify**

- 1) Cat. Number
- 2) Laminate Color/Number
- 3) Edge trim Color

# WORKSURFACES

## Spanner Half Round End Laminate/Vinyl Edge



Width	Radius	Cat. Number	List
51"	25.5" (for use with 24" adjacent worksurfaces)	WSSFR-24	\$ 458
63"	31.5" (for use with 30" adjacent worksurfaces)	WSSFR-30	\$ 580

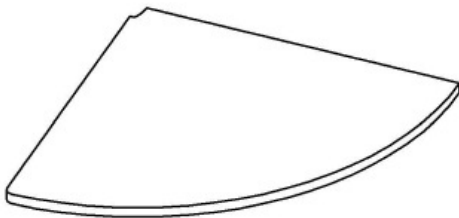
**NOTE:**

- Specify at end-of-run adjacent to appropriate depth worksurface.
- Worksurface support brackets, end panel, or side mounting kit must be ordered separately.

- 3mm T mold with 3/4"radius.
- Order Column Leg support and brackets separately.
- See Worksurface Support section to specify appropriate support.

- To Order, Specify**
- 1) Cat. Number
  - 2) Laminate Color/Number
  - 3) Edge trim Color

## Spanner Quarter Round End Laminate/Vinyl Edge



Width	Radius	Cat. Number	List
25.5"	25.5" (for use with 24" right-side adjacent worksurface)	WSSQR-24R	\$ 260
25.5"	25.5" (for use with 24" left-side adjacent worksurfaces)	WSSQR-24L	\$ 260
31.5"	31.5" (for use with 30" right-side adjacent worksurfaces)	WSSQR-30R	\$ 275
31.5"	31.5" (for use with 30" right-side adjacent worksurfaces)	WSSQR-30L	\$ 275

**NOTE:**

- Specify at end-of-run adjacent to appropriate depth worksurface.
- Worksurface support brackets, end panel, or side mounting kit must be ordered separately.

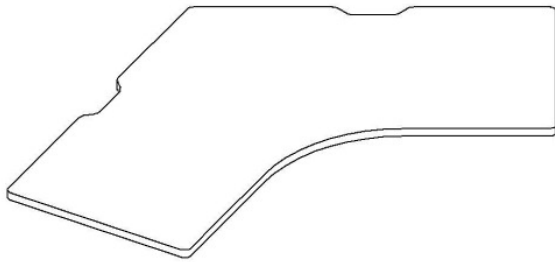
- 3mm T mold with 3/4"radius.
- Order Column Leg support and brackets separately.
- See Worksurface Support section to specify appropriate support.

- To Order, Specify**
- 1) Cat. Number
  - 2) Laminate Color/Number
  - 3) Edge trim Color



# WORKSURFACES

120 deg Corner Worksurface  
 90 deg. Left / 90 deg. Right  
 Laminate/Vinyl Edge



Width	Depth	Cat. Number	List
36"	24"	WSCV 3624	\$ 580
	30"	WSCV 3630	\$ 611
42"	24"	WSCV 4224	\$ 611
	30"	WSCV 4230	\$ 702
48"	24"	WSCV 4824	\$ 672
	30"	WSCV 4830	\$ 733
54"	24"	WSCV 5424	\$ 733
	30"	WSCV 5430	\$ 763
60"	24"	WSCV 6024	\$ 794
	30"	WSCV 6030	\$ 824

**NOTE:**

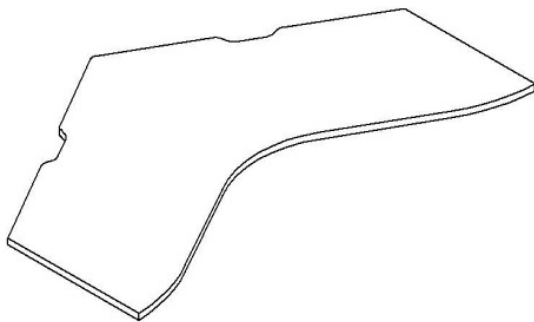
- Worksurface support brackets, end panel, or side mounting kit must be ordered separately.

- 3mm T mold with 3/4"radius.
- See Worksurface Support section to specify appropriate support.
- Suspended pedestal, fixed pedestal, and/ or lateral files of equivalent worksurface depth may block notch openings.

- To Order, Specify**
- 1) Cat. Number
  - 2) Laminate Color/Number
  - 3) Edge trim Color

# WORKSURFACES

120 deg Corner Worksurface  
 120 deg. Left / 120 deg. Right  
 Laminate/Vinyl Edge



Width	Depth	Cat. Number	List
36"	24"	WSCVB 3624	\$ 580
	30"	WSCVB 3630	\$ 611
42"	24"	WSCVB 4224	\$ 611
	30"	WSCVB 4230	\$ 702
48"	24"	WSCVB 4824	\$ 672
	30"	WSCVB 4830	\$ 733
54"	24"	WSCVB 5424	\$ 733
	30"	WSCVB 5430	\$ 763
60"	24"	WSCVB 6024	\$ 794
	30"	WSCVB 6030	\$ 824

**NOTE:**

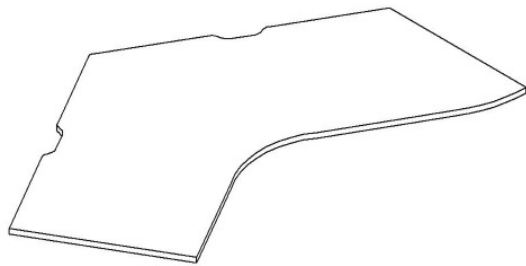
- Worksurface support brackets, end panel, or side mounting kit must be ordered separately.

- 3mm T mold with 3/4"radius.
- See Worksurface Support section to specify appropriate support.
- Suspended pedestal, fixed pedestal, and/ or lateral files of equivalent worksurface depth may block notch openings.

- To Order, Specify**
- 1) Cat. Number
  - 2) Laminate Color/Number
  - 3) Edge trim Color

# WORKSURFACES

120 deg Corner Worksurface  
 90 deg. Left / 120 deg. Right  
 Laminate/Vinyl Edge



Width	Depth	Cat. Number	List
36"	24"	WSCVR 3624	\$ 580
	30"	WSCVR 3630	\$ 611
42"	24"	WSCVR 4224	\$ 611
	30"	WSCVR 4230	\$ 702
48"	24"	WSCVR 4824	\$ 672
	30"	WSCVR 4830	\$ 733
54"	24"	WSCVR 5424	\$ 733
	30"	WSCVR 5430	\$ 763
60"	24"	WSCVR 6024	\$ 794
	30"	WSCVR 6030	\$ 824

**NOTE:**

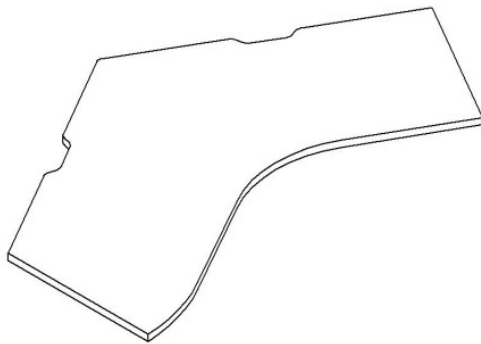
- Worksurface support brackets, end panel, or side mounting kit must be ordered separately.

- 3mm T mold with 3/4"radius.
- See Worksurface Support section to specify appropriate support.
- Suspended pedestal, fixed pedestal, and/ or lateral files of equivalent worksurface depth may block notch openings.

- To Order, Specify**
- 1) Cat. Number
  - 2) Laminate Color/Number
  - 3) Edge trim Color

# WORKSURFACES

120 deg Corner Worksurface  
 120 deg. Left / 90 deg. Right  
 Laminate/Vinyl Edge



Width	Depth	Cat. Number	List
36"	24"	WSCVL 3624	\$ 580
	30"	WSCVL 3630	\$ 611
42"	24"	WSCVL 4224	\$ 611
	30"	WSCVL 4230	\$ 702
48"	24"	WSCVL 4824	\$ 672
	30"	WSCVL 4830	\$ 733
54"	24"	WSCVL 5424	\$ 733
	30"	WSCVL 5430	\$ 763
60"	24"	WSCVL 6024	\$ 794
	30"	WSCVL 6030	\$ 824

**NOTE:**

- Worksurface support brackets, end panel, or side mounting kit must be ordered separately.

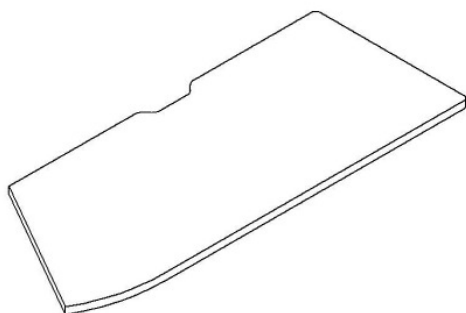
- 3mm T mold with 3/4"radius.
- See Worksurface Support section to specify appropriate support.
- Suspended pedestal, fixed pedestal, and/ or lateral files of equivalent worksurface depth may block notch openings.

**To Order, Specify**

- 1) Cat. Number
- 2) Laminate Color/Number
- 3) Edge trim Color

# WORKSURFACES

120 deg Return Worksurface  
 120 deg. Left / 90 deg. Right  
 Laminate/Vinyl Edge



Width	Depth	Cat. Number	List
36"	24"	WSR120 3624L	\$ 305
	30"	WSR120 3630L	\$ 366
42"	24"	WSR120 4224L	\$ 366
	30"	WSR120 4230L	\$ 458
48"	24"	WSR120 4824L	\$ 397
	30"	WSR120 4830L	\$ 473
54"	24"	WSR120 5424L	\$ 427
	30"	WSR120 5430L	\$ 488
60"	24"	WSR120 6024L	\$ 443
	30"	WSR120 6030L	\$ 504
66"	24"	WSR120 6624L	\$ 458
	30"	WSR120 6630L	\$ 519
72"	24"	WSR120 7224L	\$ 474
	30"	WSR120 7230L	\$ 535
78"	24"	WSR120 7824L	\$ 490
	30"	WSR120 7830L	\$ 551

**NOTE:**

- Worksurface support brackets, end panel, or side mounting kit must be ordered separately.

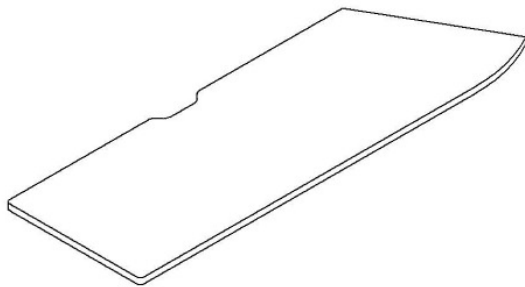
- 3mm T mold with 3/4"radius.
- See Worksurface Support section to specify appropriate support.
- Suspended pedestal, fixed pedestal, and/ or lateral files of equivalent worksurface depth may block notch openings.

**To Order, Specify**

- 1) Cat. Number
- 2) Laminate Color/Number
- 3) Edge trim Color

# WORKSURFACES

120 deg Return Worksurface  
 90 deg. Left / 120 deg. Right  
 Laminate/Vinyl Edge



Width	Depth	Cat. Number	List
36"	24"	WSR120 3624R	\$ 305
	30"	WSR120 3630R	\$ 366
42"	24"	WSR120 4224R	\$ 366
	30"	WSR120 4230R	\$ 458
48"	24"	WSR120 4824R	\$ 397
	30"	WSR120 4830R	\$ 473
54"	24"	WSR120 5424R	\$ 427
	30"	WSR120 5430R	\$ 488
60"	24"	WSR120 6024R	\$ 443
	30"	WSR120 6030R	\$ 504
66"	24"	WSR120 6624R	\$ 458
	30"	WSR120 6630R	\$ 519
72"	24"	WSR120 7224R	\$ 474
	30"	WSR120 7230R	\$ 535
78"	24"	WSR120 7824R	\$ 490
	30"	WSR120 7830R	\$ 551

**NOTE:**

- Worksurface support brackets, end panel, or side mounting kit must be ordered separately.

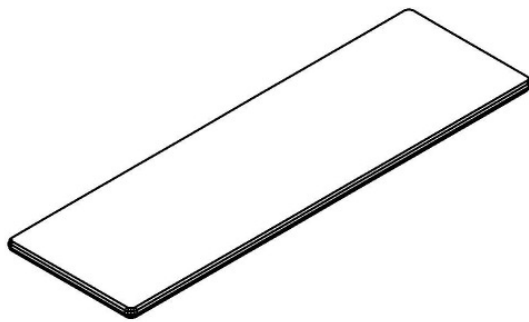
- 3mm T mold with 3/4"radius.
- See Worksurface Support section to specify appropriate support.
- Suspended pedestal, fixed pedestal, and/ or lateral files of equivalent worksurface depth may block notch openings.

**To Order, Specify**

- 1) Cat. Number
- 2) Laminate Color/Number
- 3) Edge trim Color

# WORKSURFACES

Rectangular Transaction Top  
Laminate/Vinyl Edge



Width	Depth	Cat. Number	List
24"	15"	WST 2415	\$ 214
30"	15"	WST 3015	\$ 244
36"	15"	WST 3615	\$ 259
42"	15"	WST 4215	\$ 275
48"	15"	WST 4815	\$ 305
54"	15"	WST 5415	\$ 366
60"	15"	WST 6015	\$ 382
66"	15"	WST 6615	\$ 427
72"	15"	WST 7215	\$ 443
78"	15"	WST 7815	\$ 473

**NOTE:**

Transaction Top support brackets must be ordered separately.

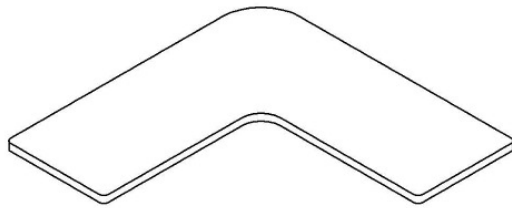
- 3mm T mold with 3/4"radius.
- See Worksurface Support section to specify appropriate support.

**To Order, Specify**

- 1) Cat. Number
- 2) Laminate Color/Number
- 3) Edge trim Color

# WORKSURFACES

Corner Transaction Top  
Laminate/Vinyl Edge



Width	Depth	Cat. Number	List
24"	15"	WSTC 24	\$ 214
30"	15"	WSTC 30	\$ 254
36"	15"	WSTC 36	\$ 366
42"	15"	WSTC 42	\$ 473
48"	15"	WSTC 48	\$ 488
54"	15"	WSTC 54	\$ 580
60"	15"	WSTC 60	\$ 621
66"	15"	WSTC 66	\$ 662

**NOTE:**

Transaction Top support brackets must be ordered separately.

- 3mm T mold with 3/4"radius.
- See Worksurface Support section to specify appropriate support.

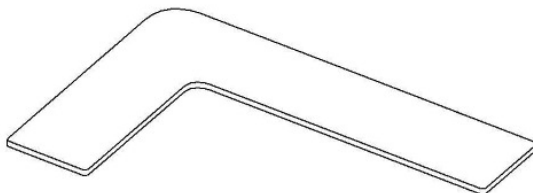
**To Order, Specify**

- 1) Cat. Number
- 2) Laminate Color/Number
- 3) Edge trim Color



# WORKSURFACES

## Extended Corner Transaction Top Laminate/Vinyl Edge



Depth (D)	Left Width (LW)	Right Width (RW)	Catalog Number	List
15"	36"	42"	WSTEC-3642	\$ 499
	42"	36"	WSTEC-4236	\$ 499
15"	36"	48"	WSTEC-3648	\$ 540
	48"	36"	WSTEC-4836	\$ 540
15"	36"	54"	WSTEC-3654	\$ 580
	54"	36"	WSTEC-5436	\$ 580
15"	36"	60"	WSTEC-3660	\$ 621
	60"	36"	WSTEC-6036	\$ 621
15"	36"	66"	WSTEC-3666	\$ 662
	66"	36"	WSTEC-6636	\$ 662
15"	36"	72"	WSTEC-3672	\$ 703
	72"	36"	WSTEC-7236	\$ 703
15"	42"	48"	WSTEC-4248	\$ 580
	48"	42"	WSTEC-4842	\$ 580
15"	42"	54"	WSTEC-4254	\$ 621
	54"	42"	WSTEC-5442	\$ 621
15"	42"	60"	WSTEC-4260	\$ 662
	60"	42"	WSTEC-6042	\$ 662
15"	42"	66"	WSTEC-4266	\$ 703
	66"	42"	WSTEC-6642	\$ 703
15"	42"	72"	WSTEC-4272	\$ 744
	72"	42"	WSTEC-7242	\$ 744
15"	48"	54"	WSTEC-4854	\$ 662
	54"	48"	WSTEC-5448	\$ 662
15"	48"	60"	WSTEC-4860	\$ 703
	60"	48"	WSTEC-6048	\$ 703
15"	48"	66"	WSTEC-4866	\$ 744
	66"	48"	WSTEC-6648	\$ 744
15"	48"	72"	WSTEC-4872	\$ 785
	72"	48"	WSTEC-7248	\$ 785

**NOTE:**

Transaction Top support brackets must be ordered separately.

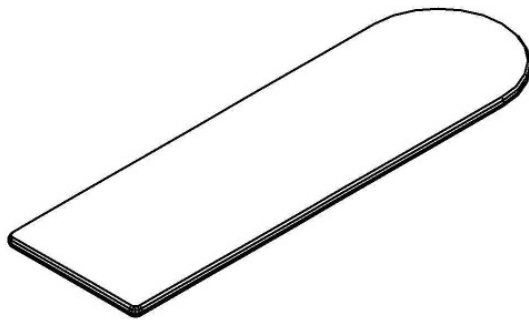
- 3mm T mold with 3/4"radius.
- See Worksurface Support section to specify appropriate support.

**To Order, Specify**

- 1) Cat. Number
- 2) Laminate Color/Number
- 3) Edge trim Color

# WORKSURFACES

Radius-End Transaction Top  
Laminate/Vinyl Edge



Width	Depth	Cat. Number	List
24"	15"	WSTR 24	\$ 214
30"	15"	WSTR 30	\$ 244
36"	15"	WSTR 36	\$ 259
42"	15"	WSTR 42	\$ 275
48"	15"	WSTR 48	\$ 305
54"	15"	WSTR 54	\$ 366
60"	15"	WSTR 60	\$ 397
66"	15"	WSTR 66	\$ 427
72"	15"	WSTR 72	\$ 443

**NOTE:**

Transaction Top support brackets must be ordered separately.

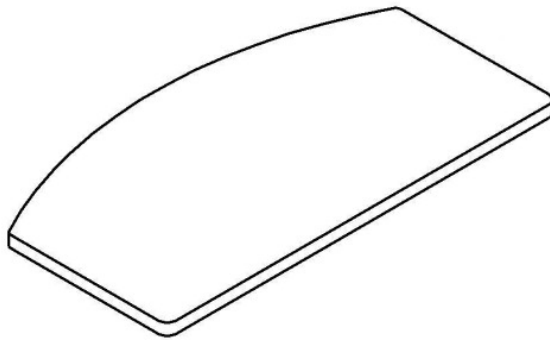
- 3mm T mold with 3/4"radius.
- See Worksurface Support section to specify appropriate support.

**To Order, Specify**

- 1) Cat. Number
- 2) Laminate Color/Number
- 3) Edge trim Color

# WORKSURFACES

Rectangular Bow Front Transaction Top  
Laminate/Vinyl Edge



Width	Depth	Cat. Number	List
24"	15"	WSTBF 24	\$ 214
30"	15"	WSTBF 30	\$ 244
36"	15"	WSTBF 36	\$ 259
42"	15"	WSTBF 42	\$ 275
48"	15"	WSTBF 48	\$ 305
54"	15"	WSTBF 54	\$ 366
60"	15"	WSTBF 60	\$ 397
66"	15"	WSTBF 66	\$ 427

**NOTE:**

Transaction Top support brackets must be ordered separately.

- 3mm T mold with 3/4"radius.
- See Worksurface Support section to specify appropriate support.

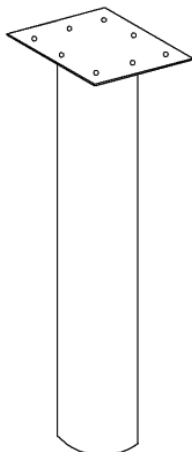
**To Order, Specify**

- 1) Cat. Number
- 2) Laminate Color/Number
- 3) Edge trim Color

# WORKSURFACE SUPPORTS

Shaded Items in Price List Available In  
Limited Stocking Program

## Peninsula Support Column

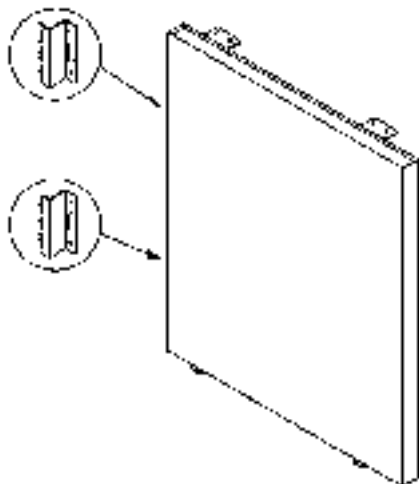


Cat. Number	List
PSC-115	\$122

- Specify column as floor to worksurface support on transaction side for peninsula tops.
- All support columns are powder coat painted black. Upcharge for alternate color.
- Height is 27.75" to 29.75". Mounting plate is 6"x 6"x 3/16".
- Base spread is 4".
- Standard Finish: Black

**To Order, Specify**  
1) Cat. Number  
2) Optional color  
(upcharge)

## End Support



Cat. Number	List
TF-EP	\$147

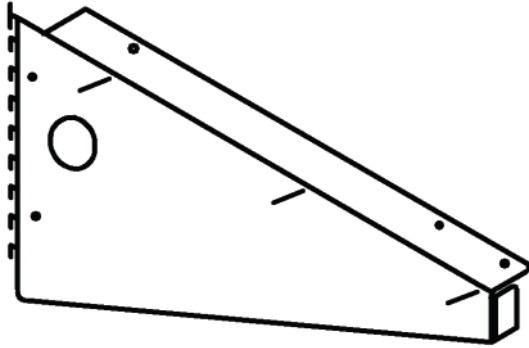
- Specify End Support as floor to worksurface support on end of worksurfaces.
- End supports are powder coat painted black.
- Upcharge for alternate color.
- Height is 27.75" to 29.75" in. Depth is 23.43" in.
- Includes two threaded height-adjustment glides, two rail attachment brackets and two worksurface attachment brackets.
- Standard finish: Black

**To Order, Specify**  
1) Cat. Number  
2) Optional color  
(upcharge)

# WORKSURFACE SUPPORTS

Shaded Items in Price List Available In  
Limited Stocking Program

## Universal Cantilever

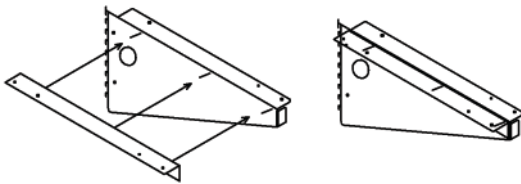


Cat. Number	List
JM 0006P L	\$ 31
JM 0006P R	\$ 31

- All cantilevers are powder coat painted black. Upcharge for alternate color.
- May be used as worksurface center support where required.
- Actual depth is 18 3/4". Installed depth is 17 3/4".
- Standard Finish: Black

**To Order, Specify**  
1) Cat. Number  
2) Optional color  
(upcharge)

## Shared Cantilever Bracket



Cat. Number	List
JM 0015P	\$ 8

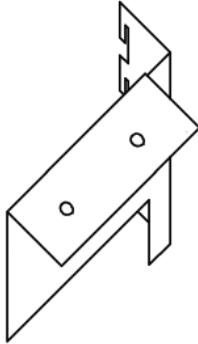
- All Shared Brackets are powder coat painted black. Upcharge for alternate color.
- Used when specifying support for adjacent wall or panel hung worksurfaces at the seams.
- Installs into universal cantilever. Can be used on left or right hand cantilever.
- Standard Finish: Black

**To Order, Specify**  
1) Cat. Number  
2) Optional color  
(upcharge)

# WORKSURFACE SUPPORTS

Shaded Items in Price List Available In  
Limited Stocking Program

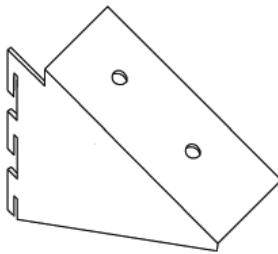
## Rear/Side Work Surface Support Bracket



Cat. Number	List
TF CSB L	\$ 10
TF CSB R	\$ 10

- Used when specifying support at corner junction of wall or panel where worksurface support is required.
  - Specify Left Hand or Right Hand.
  - Available only in Black
- To Order, Specify**  
1) Cat. Number  
2) Left or Right Handed

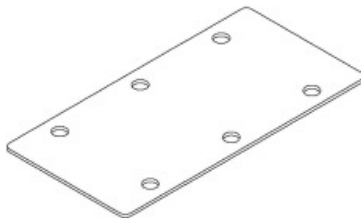
## Transaction Work Surface Support Bracket



Cat. Number	List
TF CTB L	\$ 13
TF CTB R	\$ 13

- Used when specifying support for a transaction surface where worksurface support is required.
  - Specify Left Hand or Right Hand.
  - Available only in Black
- To Order, Specify**  
1) Cat. Number  
2) Left or Right Handed

## Flat Plate



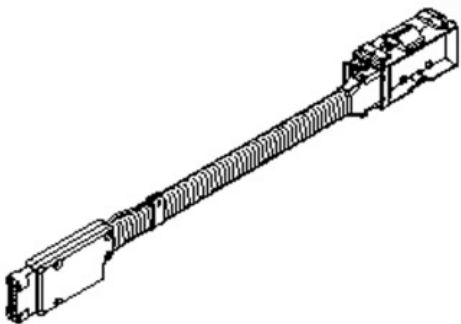
Cat. Number	List
TF FB	\$ 8

- Used to solidify the front edge of two adjacent work surfaces or splice bridge surfaces to adjacent work surface.
  - Flat brackets are 6" x 3" and have 6 holes.
  - Available only in Black
- To Order, Specify**  
1) Cat. Number

# ELECTRICAL COMPONENTS

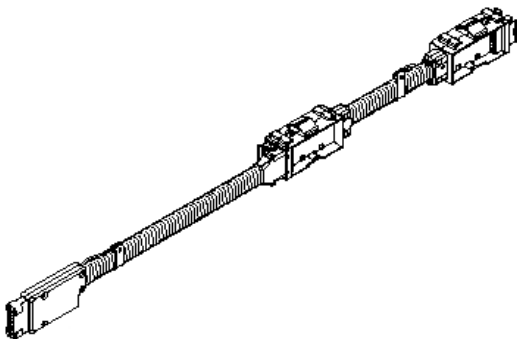
## Raceway Assemblies

### Single Block Raceways



Length	Cat. Number	List
24"	P-SBR24	\$ 160
30"	P-SBR30	\$ 170
36"	P-SBR36	\$ 179
42"	P-SBR42	\$ 188
48"	P-SBR48	\$ 202
60"	P-SBR60	\$ 224

### Double Block Raceways





Length	Cat. Number	List
24"	P-DBR24	\$ 204
30"	P-DBR30	\$ 250
36"	P-DBR36	\$ 273
42"	P-DBR42	\$ 286
48"	P-DBR48	\$ 296
60"	P-DBR60	\$ 319

- Raceway assembly includes mounting bracket(s) and hardware, for use in electrifying panel frames.
- 8 wire 4 circuit 15 amp system
- Extension has 3 1/2" of extra flex.
- UL listed. CSA certified.

**To Order, Specify**  
 1) Cat. Number  
 (no finish required)

# ELECTRICAL COMPONENTS

## Pass Through Cable

	Length	Cat. Number	List
	24"	P-PT12	\$ 119
	18"	P-PT18	\$ 129
	24"	P-PT24	\$ 138
	30"	P-PT30	\$ 147
	36"	P-PT36	\$ 156
	42"	P-PT42	\$ 165
	48"	P-PT48	\$ 183
	54"	P-PT54	\$ 193
	60"	P-PT60	\$ 204
	66"	P-PT66	\$ 214
	72"	P-PT72	\$ 225


- Pass Through Cable in non powered panel situation.
- 8 wire 4 circuit 15 amp system
- UL listed. CSA certified;
- Includes mounting brackets and hardware.

**To Order, Specify**  
 1) Cat. Number  
 (no finish required)




# ELECTRICAL COMPONENTS

## Ceiling Feed/End of Run Feed

	Length	Cat. Number	List
	144"	P-CPF144 Ceiling Feed	\$ 240
	72"	P-EPF72 End of Run Feed	\$ 259

- Used to introduce power to the electrical system from the ceiling electrical source through a power pole or to the end of panel run from a wall box.
  - Custom lengths available. Consult factory for longer custom lengths.
  - Refer to Electrical Applications section for specifying details.
  - UL listed. CSA certified.
- To Order, Specify**  
1) Cat. Number  
(no finish required)

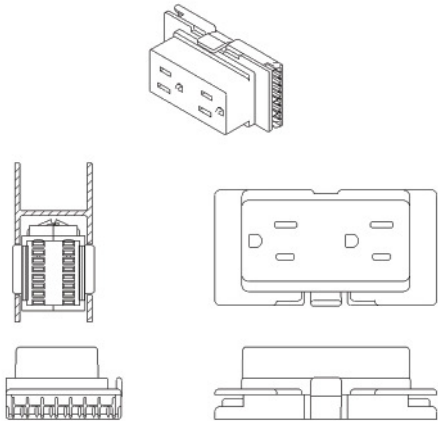
## Side Mounted Base Power Feed

	Length	Cat. Number	List
	72"	P-BF72	\$ 286

- Used to introduce power to the electrical system from the wall or floor electrical source through a power pole or to the simplex plug of a power module..
  - Swivels for left or right handed applications.
  - Custom lengths available. Consult factory for longer custom lengths.
  - Refer to Electrical Applications section for specifying details.
  - UL listed. CSA certified.
  - For Power Feed in San Francisco, use BE08892 3 MTLC E-(size)
- To Order, Specify**  
1) Cat. Number  
(no finish required)

# ELECTRICAL COMPONENTS

## Duplex Receptacle

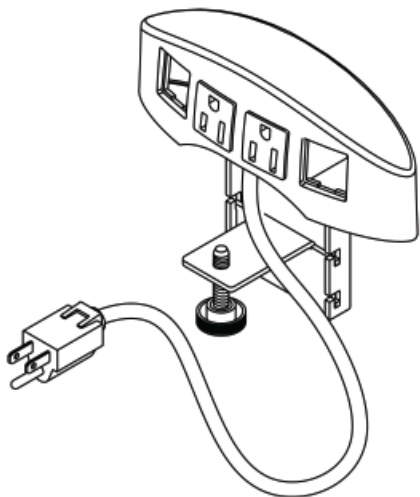


Cat. Number	List
P-DR1	\$ 30
P-DR2	\$ 30
P-DR3	\$ 30
P-DR4	\$ 30

- Duplex receptacle plug into raceway block to provide outlet source.
- Circuits available: 1, 2, 3 and 4 (dedicated).
- 8 Wire Circuit, 15amp
- UL listed. CSA certified.
- Available Finish: Black

**To Order, Specify**  
 1) Cat. Number  
 (no finish required)

## Power/Data Center



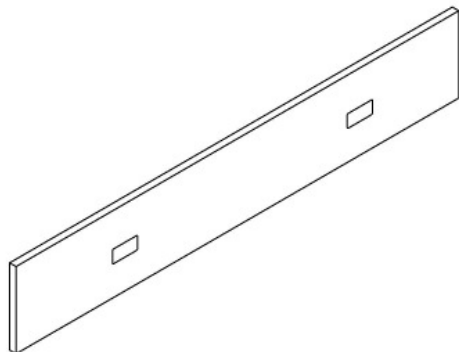
Cat. Number	List
P-PDC	\$ 542

- Two 15 amp simplex receptacles to accept standard power cords or AC adapters.
- Two ports available for the installation of voice/data.
- Adapter kit included.
- Work surface mounted. Note: 1/2" space required.
- UL listed. CSA certified.
- Available Finish: Black

**To Order, Specify**  
 1) Cat. Number

# ELECTRICAL COMPONENTS

## Beltline Electric/Data Tiles

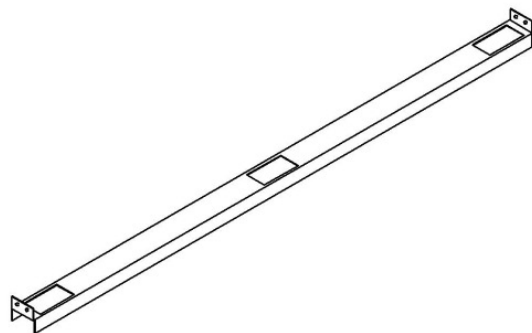


Cat. Number	List
MT-0824-BKO	\$ 44
MT-0830-BKO	\$ 48
MT-0836-BKO	\$ 52
MT-0842-BKO	\$ 55
MT-0848-BKO	\$ 62
MT-0860-BKO	\$ 75

- Beltline tile is specified when introducing electrical or data above base level within a panel frame.
- Beltline Tiles include (2) Electrical/Data plate covers and tile retaining clips. Voice/Data adapter face plate and kit must be ordered separately (pg61).
- Tile is painted metal.
- Available Finish: Black, Metallic Silver, Aluminum, Putty and Cream.

**To Order, Specify**  
 1) Cat. Number  
 2) Finish

## Middle Alignment Bracket



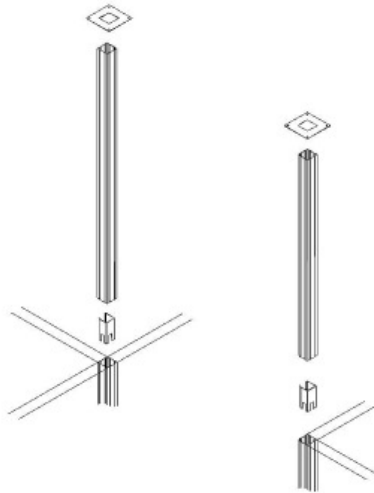
Cat. Number	List
P-MAB24	\$ 61
P-MAB30	\$ 70
P-MAB36	\$ 75
P-MAB42	\$ 84
P-MAB48	\$ 94
P-MAB60	\$106

- Specify to mount power assembly above base level within a panel frame.
- Includes horizontal bar and attachment hardware.
- Galvanized steel construction.
- Must specify power assembly (p55) and pass-through cable (p56) separately.

**To Order, Specify**  
 1) Cat. Number  
 (no finish required)

# ELECTRICAL COMPONENTS

## Power / Data Pole Kits



Cat. Number		List
P-PP2-144	(for use with 2 way Connector Post)	\$ 942
P-PP3-144	(for use with 3 way Connector Post)	\$ 942
P-PP4-144	(for use with 4 way Connector Post)	\$ 942

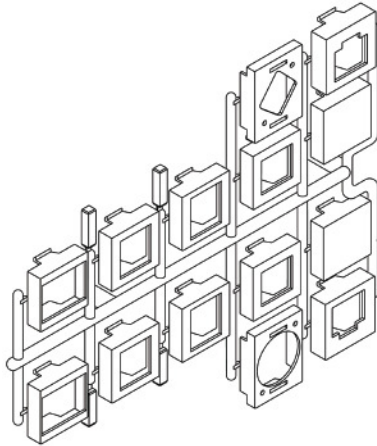
- Power Pole is specified where power and/or data is introduced from a ceiling source. The kit provides a vertical channel to run data or ceiling power in-feeds from a suspended ceiling.
- Includes ceiling trim plates, T-bar mounting hardware, and connector flush-mount spring.
- Order ceiling power in-feed separately (p. 57)
- Available Finish: Black, Metallic Silver, Putty, Aluminum and Cream.

**To Order, Specify**

- 1) Cat. Number
- 2) Finish

# ELECTRICAL COMPONENTS

## Voice / Data Adapter Kit



Cat. Number	List
P-VDAK	\$ 3

- Adapter kit made to accept most couplers and jacks.
- Used with Power Data Center and Adapter Face Plate.

**To Order, Specify**  
1) Cat. Number

## Voice / Data Plate



Cat. Number	List
P-FP	\$ 3

## Blank Voice / Data Plate



Cat. Number	List
P-BVP	\$ 2

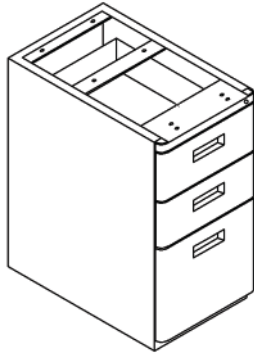
- VDP is used to finish data / voice installations.
- Used with electrical base plates and mid-line tiles.

**To Order, Specify**  
1) Cat. Number

# STORAGE AND ACCESSORIES

Shaded Items in Price List Available In  
Limited Stocking Program

## B Front Box/Box/File Structural Pedestal

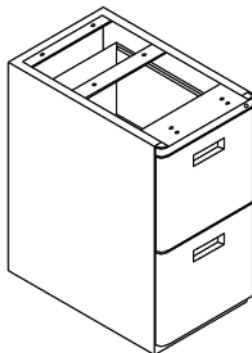


Cat. Number	Wt./ Ctn.	List
PED-BBF24B	60	\$554
PED-BBF29B	69	\$627

- Radius front vertical corners with black recessed drawer pulls.
- Adjustable height from 27 1/2" to 29". Actual depth is 23 1/2" (24"ped) & 29 3/8" (30"ped). Actual width is 14 3/4".
- Pedestal includes lock core and mechanism with (2) keys: Cannot be ordered without lock.
- Includes (1) one pencil tray, black. Additional trays may be ordered separately.
- Order legal file conversion bars separately.
- All storage components may be keyed alike. Cores must be specified separately. Master keys and core removal keys are available (ordered separately).

**To Order, Specify**  
1) Cat. Number  
2) Finish Color

## B Front File/File Structural Pedestal



Cat. Number	Wt./ Ctn.	List
PED-FF24B	60	\$558
PED-FF29B	66	\$647

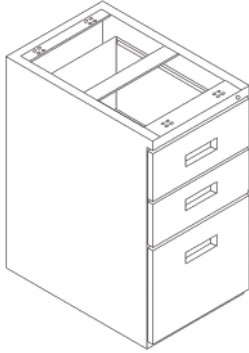
- Radius front vertical corners with black recessed drawer pulls.
- Adjustable height from 27 1/2" to 29". Actual depth is 23 1/2" (24"ped) & 29 3/8" (30"ped). Actual width is 14 3/4".
- Pedestal includes lock core and mechanism with (2) keys: Cannot be ordered without lock.
- Includes (1) one pencil tray, black. Additional trays may be ordered separately.
- Order legal file conversion bars separately.
- All storage components may be keyed alike. Cores must be specified

**To Order, Specify**  
1) Cat. Number  
2) Finish Color

# STORAGE AND ACCESSORIES

Shaded Items in Price List Available In  
Limited Stocking Program

## SA Front Box/Box/File structural Pedestal

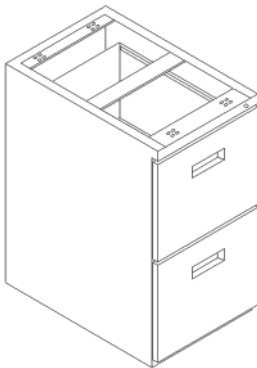


Cat. Number	Wt./ Ct	List
PED-BBF22S	60	\$412

- Square front vertical corners with black recessed drawer pulls.
- Adjustable height from 27 1/2" to 29". Actual depth is 22" (22"ped)
- Pedestal includes lock core and mechanism with (2) keys: Cannot be ordered without lock.
- Includes (1) one pencil tray, black. Additional trays may be ordered separately.
- Order legal file conversion bars separately.
- All storage components may be keyed alike. Cores must be specified separately. Master keys and core removal keys are available (ordered separately).

**To Order, Specify**  
1) Cat. Number  
2) Finish Color

## SA Front File/File Structural Pedestal



Cat. Number	Wt./ Ctn.	List
PED-FF22S	60	\$412

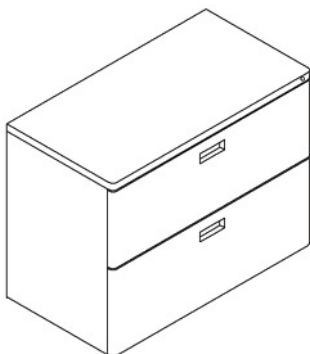
- Square front vertical corners with black recessed drawer pulls.
- Adjustable height from 27 1/2" to 29". Actual depth is 22" (22"ped) &
- Pedestal includes lock core and mechanism with (2) keys: Cannot be ordered without lock.
- Order legal file conversion bars separately.
- All storage components may be keyed alike. Cores must be specified separately. Master keys and core removal keys are available (ordered separately).

**To Order, Specify**  
1) Cat. Number  
2) Finish Color

# STORAGE AND ACCESSORIES

Shaded Items in Price List Available In  
Limited Stocking Program

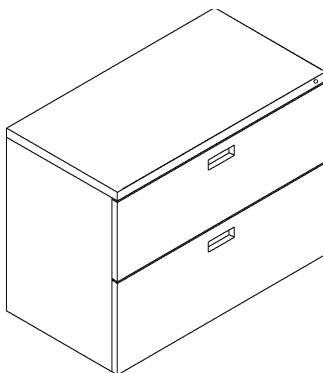
## B Front 2 Drawer Lateral File Cabinet



Cat. Number	Wt./ Ctn.	List
LAT-230B	122	\$1,127
LAT-236B	140	\$1,195

- Radius front vertical corners with black recessed drawer pulls.
  - Adjustable height from 27 3/8" to 29". Actual depth is 19 3/16". Actual width is 36".
  - Pedestal includes lock core and mechanism with (2) keys: Cannot be ordered without lock.
  - Order legal file conversion bars separately.
  - All storage components may be keyed alike. Cores must be specified separately. Master keys and core removal keys are available (ordered separately).
- To Order, Specify**  
 1) Cat. Number  
 2) Finish Color

## SA Front 2 Drawer Lateral File Cabinet



Cat. Number	Wt./ Ctn.	List
LAT-230S	122	\$1,127
LAT-236S	140	\$1,195

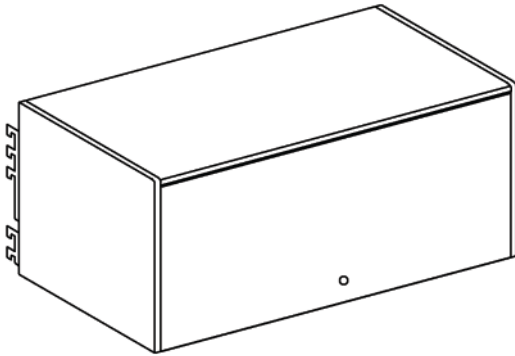
- Radius front vertical corners with black recessed drawer pulls.
  - Adjustable height from 27 3/8" to 29". Actual depth is 19 3/16". Actual width is 36".
  - Pedestal includes lock core and mechanism with (2) keys: Cannot be ordered without lock.
  - Order legal file conversion bars separately.
  - All storage components may be keyed alike. Cores must be specified separately. Master keys and core removal keys are available (ordered separately).
- To Order, Specify**  
 1) Cat. Number  
 2) Finish Color



# STORAGE AND ACCESSORIES

Shaded Items in Price List Available In  
Limited Stocking Program

## Overhead Cabinet With Receding Door

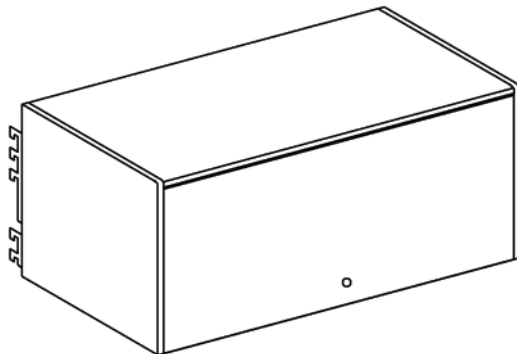


Size	Cat. Number	List
24"	FDU-24B	\$336
30"	FDU-30B	\$371
36"	FDU-36B	\$409
42"	FDU-42B	\$445
48"	FDU-48B	\$511
60"	FDU-60B	\$571

- Overhead Cabinet Dimensions:  
16.5"h. x 15"d. x (24" to 60")wide
- Includes removeable lock core and key.
- Receding Door opens and stores inside of Cabinet
- Radius corner shelf end

**To Order, Specify**  
1) Cat. Number  
2) Finish Color

## Overhead Cabinet With Flipper Door



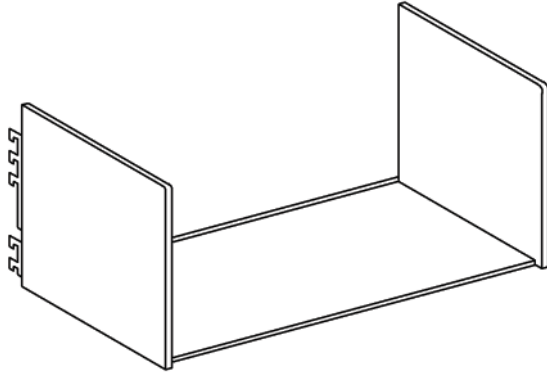
Size	Cat. Number	List
24"	FDU-24S	\$274
30"	FDU-30S	\$306
36"	FDU-36S	\$339
42"	FDU-42S	\$372
48"	FDU-48S	\$431
60"	FDU-60S	\$485

- Overhead Cabinet Dimensions:  
16.5"h. x 15"d. x (24" to 60")wide
- Includes removeable lock core and key.
- Flipper Door opens and stores on top of cabinet
- Squared corner shelf end

**To Order, Specify**  
1) Cat. Number  
2) Finish Color

Shaded Items in Price List Available In  
Limited Stocking Program

Open Shelf Full Height

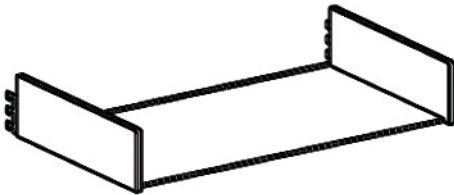


Size	Cat. Number	List
24"	TFS-24	\$217
30"	TFS-30	\$233
36"	TFS-36	\$251
42"	TFS-42	\$269
48"	TFS-48	\$308
60"	TFS-60	\$347

- Open Shelf Full Height Dimensions:  
16.5"h. x 15"d. x (24" to 60")wide

**To Order, Specify**  
1) Cat. Number  
2) Finish Color

Open Shelf Half Height



Size	Cat. Number	List
24"	TFHHS24	\$131
30"	TFHHS30	\$137
36"	TFHHS36	\$139
42"	TFHHS42	\$146
48"	TFHHS48	\$156
60"	TFHHS60	\$182

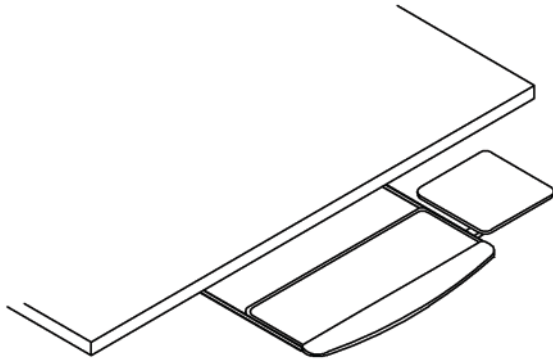
- Open Shelf Half-Height Dimensions:  
7.5"h. x 15"d. x (24" to 60")wide

**To Order, Specify**  
1) Cat. Number  
2) Finish Color

# STORAGE AND ACCESSORIES

Shaded Items in Price List Available In  
Limited Stocking Program

## Sliding Keyboard Tray and Mouse

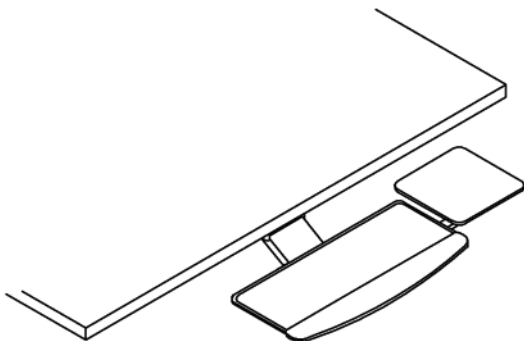


Cat. Number	Wt./Ctn.	List
KT-S	6	\$ 119

- PVC construction with black textured finish.
- Steel ball bearing spension included.
- Actual width is 21 1/8". Actual depth is 16 1/4".

**To Order, Specify**  
1) Cat. Number

## Articulating Keyboard Tray and Mouse Pad



Cat. Number	Wt./Ctn	List
KT-A	12	\$ 220

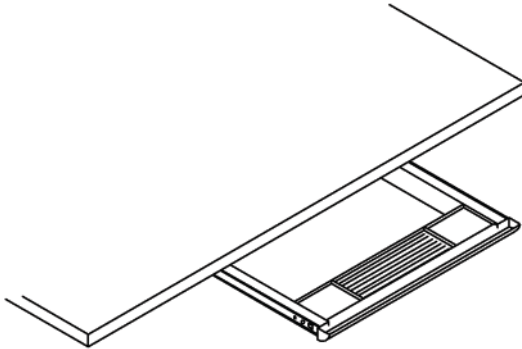
- Keyboard tray supports a standard computer keyboard. (2) knob set for tilt and height adjustment.
- Includes mouse tray with pad. Mounts left or right handed.
- Mounting hardware included.
- Mouse tray has a vertical axis radius of 270° and has 30° of horizontal tilt.

**To Order, Specify**  
1) Cat. Number

Shaded Items in Price List Available In  
Limited Stocking Program

## STORAGE AND ACCESSORIES

### Center Drawer

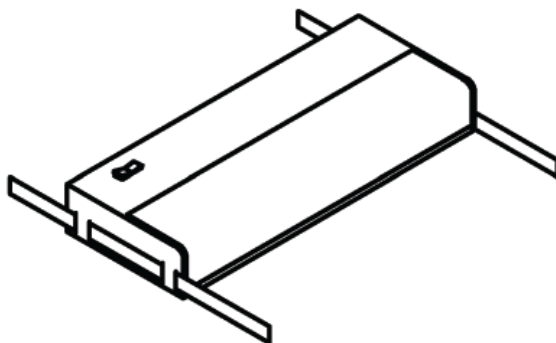


Cat. Number	Wt./Ctn.	List
PED CDB	0.6	\$ 74

- PVC construction with black textured finish.
- Steel bearing drawer suspension included.
- Actual width is 21 1/8". Actual depth is 16 1/4".

**To Order, Specify**  
1) Cat. Number

### Utility Task Light



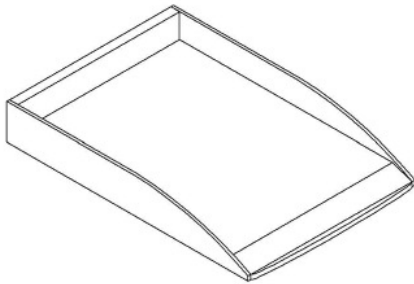
Size	Cat. Number	List
24"	TL-24	\$ 85
36"	TL-36	\$117
48"	TL-48	\$145

- For use mounted under shelf or flipper door units.
- Electronic Ballast on all lights.
- Power cord measures 72"L.

**To Order, Specify**  
1) Cat. Number

# STORAGE AND ACCESSORIES

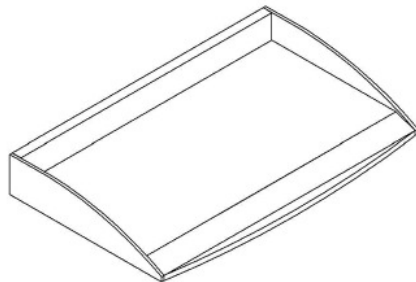
## Tool Rail Tile Accessory - Letter Paper Tray



Cat. Number	Type	List
CPF-1003	Letter	\$ 70

- Specify for use with Accessory HangingTile (pg19)
  - PVC construction with black matte finish.
- To Order, Specify**  
1) Cat. Number

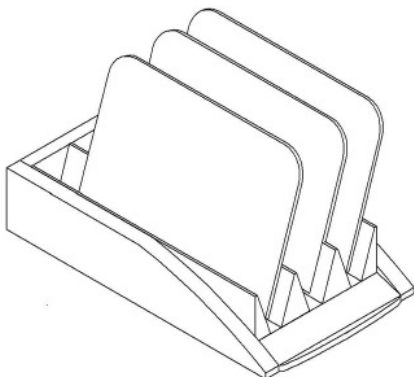
## Tool Rail Tile Accessory - Legal Paper Tray



Cat. Number	Type	List
CPF-1007	Legal	\$ 70

- Specify for use with Accessory HangingTile (pg19)
  - PVC construction with black matte finish.
- To Order, Specify**  
1) Cat. Number

## Tool Rail Tile Accessory - Diagonal File Sorter Tray

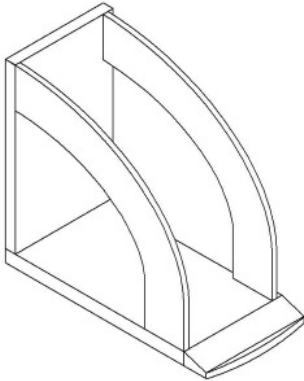


Cat. Number	Type	List
CPF- 1008	Diagonal Sorter	\$ 70

- Specify for use with Accessory HangingTile (pg19)
  - PVC construction with black matte finish.
- To Order, Specify**  
1) Cat. Number

# STORAGE AND ACCESSORIES

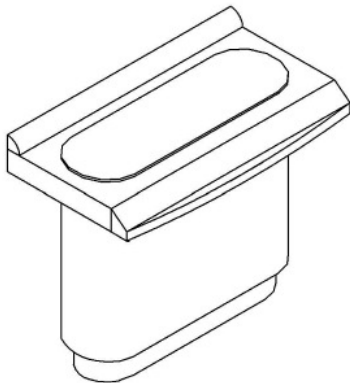
## Tool Rail Tile Accessory - Binder Holder



Cat. Number	Type	List
CPF-1009	Vertical Binder Holder	\$ 50

- Specify for use with Accessory HangingTile (pg19)
  - PVC construction with black matte finish.
- To Order, Specify**  
1) Cat. Number

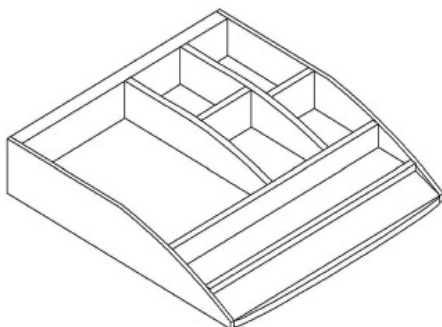
## Tool Rail Tile Accessory - Pencil Holder



Cat. Number	Type	List
CPF-1000	Pencil Holder	\$ 35

- Specify for use with Accessory HangingTile (pg19)
  - PVC construction with black matte finish.
- To Order, Specify**  
1) Cat. Number

## Tool Rail Tile Accessory - Accessory Tray

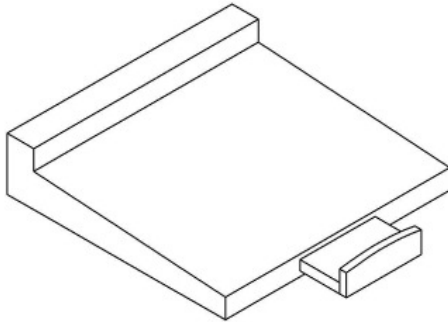


Cat. Number	Type	List
CPF- 1004	Accessory Tray	\$ 50

- Specify for use with Accessory HangingTile (pg19)
  - PVC construction with black matte finish.
- To Order, Specify**  
1) Cat. Number

# STORAGE AND ACCESSORIES

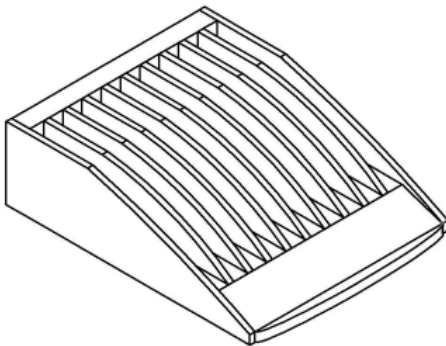
## Tool Rail Tile Accessory - Phone Holder



Cat. Number	Type	List
CPF-1005	Telephone Holder	\$ 61

- Specify for use with Accessory HangingTile (pg19)
  - PVC construction with black matte finish.
- To Order, Specify**  
1) Cat. Number

## Tool Rail Tile Accessory - CD Holder



Cat. Number	Type	List
CPF-1001	CD Holder	\$ 48

- Specify for use with Accessory HangingTile (pg19)
  - PVC construction with black matte finish.
- To Order, Specify**  
1) Cat. Number

## Tool Rail Tile Accessory - Mini Shelf



Cat. Number	Type	List
CPF- 1018	18" Wide Shelf	\$ 71
CPF- 1024	24" Wide Shelf	\$ 90
CPF- 1030	30" Wide Shelf	\$101
CPF- 1036	36" Wide Shelf	\$116

- Specify for use with Accessory HangingTile (pg19)
  - PVC construction with black matte finish.
- To Order, Specify**  
1) Cat. Number